



Seiko 8420B Movement Parts (1)

Compiled by EmmyWatch - <https://www.emmywatch.com>

SEIKO LASSALE

QUARTZ

Cal. 8420B

EMMYWATCH
VINTAGE RESTORATIONS

PARTS CATALOGUE

Cal. 8420B



122 817



125 815



221 817



231 815



241 815



261 815



271 817



281 815



282 815



☆ 354 816



383 815



384 815



386 815



391 815

EMMYWATCH
VINTAGE RESTORATIONS



491 815



4001 816



4002 815



4146 815



4216 815



4219 815



4239 815



4270 815



4271 815



4408 815



4408 816



☆ Maxell SR616SW



022 242



022 754



022 780

2/1

Cal. 8420B

Characteristics

Casing diameter : ϕ 14.9 mm
 Maximum height : 1.7 mm without battery
 Jewels : 6 j
 Frequency of quartz crystal oscillator : 32,768 Hz (Hz=Hertz Cycles per second)
 Driving system : Step motor (2 poles)
 Regulation system : Rotary step switch

PART NO.	PART NAME	PART NO.	PART NAME
122 817	Center wheel bridge		
125 815	Train wheel bridge		
221 817	Center wheel & pinion		
231 815	Third wheel & pinion		
241 815	Fourth wheel & pinion		
261 815	Minute wheel		
271 817	Hour wheel		
281 815	Setting wheel		
282 815	Clutch wheel		
☆354 816	Winding stem		
383 815	Setting lever		
384 815	Yoke		
386 815	Setting lever spring		
391 815	Train wheel setting lever		
491 815	Dial washer		
4001 816	Circuit block		
4002 815	Coil block		
4146 815	Step rotor		
4216 815	Insulator for battery		
4219 815	Battery connection insulator		
4239 815	Rotor stator		
4270 815	Battery connection (-)		
4271 815	Battery connection (+)		
4408 815	Crystal oscillator spacer		
4408 816	Train wheel setting lever spacer		
022 242	Train wheel bridge screw		
022 242	Battery connection (+) screw		
022 754	Setting lever spring screw		
022 780	Circuit block screw		
011 326	Lower hole jewel for third wheel		
011 552	Upper hole jewel for third wheel		
011 552	Upper hole jewel for fourth wheel		
011 552	Lower hole jewel for fourth wheel		
011 552	Upper hole jewel for step rotor		
011 552	Lower hole jewel for step rotor		
027 081	Tube for train wheel bridge		
☆027 082	Tube for circuit block screw (A)		
☆027 083	Tube for circuit block screw (B)		
027 084	Tube for battery connection (+) screw		
027 705	Setting lever pin		
027 706	Minute wheel pin		
☆Maxell SR616SW	Silver oxide battery		
☆SEIKO TR616SW	Silver (II) oxide battery		

☆ ⇨ Please see remarks on the reverse page.
 Part numbers in light letters are not shown in photos.

Cal. 8420B

Remarks :

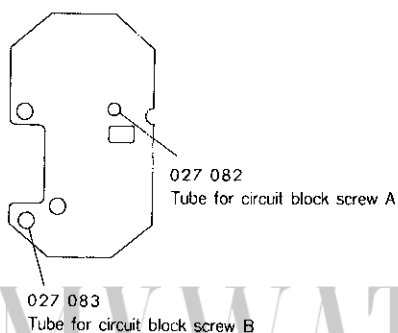
Winding stem

☆354 816.....Refer to the photograph on the front page.

If the combination of the winding stem and case is unknown, check the case number and refer to "SEIKO LASSALE Quartz Casing Parts Catalogue" to choose a corresponding winding stem.

Tube for circuit block screw A, B

☆027 082 }Refer to the illustration below for the position of the tube for circuit block screw A, B.
☆027 083 }



EMMYWATCH
VINTAGE RESTORATIONS