



Seiko 6923A Movement Parts (1)

Compiled by EmmyWatch - <https://www.emmywatch.com>

SEIKO

QUARTZ

Cal. 6923A

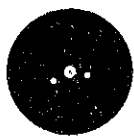
EMMYWATCH
VINTAGE RESTORATIONS

PARTS
CATALOGUE

Cal. 6923A



125 006



☆ 170 312



195 495



231 490



☆ 241 499



261 495



☆ 270 039



☆ 271 059



282 495



☆ 354 076



383 495



384 495



388 495



436 495



491 220



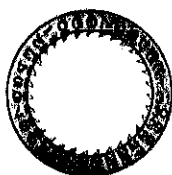
556 495



701 490



719 495



☆ 801 114



802 499



810 495



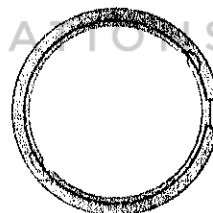
817 490



868 495



873 495



☆ 884 138



963 490



4001 416



4002 495



4146 496



4219 497



4219 498



4219 499



4239 495



4270 495



4271 496



4446 495



☆ Maxell SR926SW



012 170



012 196



012 197



012 469



012 778



012 797



017 549



017 634



017 636



017 637



017 638



017 639



017 640



017 641



017 657



017 972

2/1

Cal. 6923A

Characteristics

Casing diameter : 22.0 × 21.7 mm
 Maximum height : 2.5 mm without battery
 Jewels : 2 j
 Frequency of quartz crystal oscillator : 32,768 Hz (Hz=Hertz Cycles per second)
 Regulation system : Trimmer condenser
 Driving system : Step motor (2 poles)
 Train wheel setting
 Calendar (Day and Date)
 Instant setting device for day and date calendar
 Battery life indicator : The second hand moves in two-second interval.

PART NO.	PART NAME	PART NO.	PART NAME
125 006	Train wheel bridge	012 196	Lower end-piece for third wheel screw
☆170 312	Day star with dial disk	012 197	Day finger screw
195 495	Calendar plate	012 469	Case screw
231 490	Third wheel & pinion	012 778	Setting lever spring screw
☆241 496	Fourth wheel & pinion	012 797	Day jumper screw
☆241 499		017 549	Minute wheel pin
261 495	Minute wheel	017 634	Tube for train wheel bridge (A)
☆270 039	Center minute wheel	017 636	Tube for coil block screw (A)
☆270 499		017 637	Tube for coil block screw (B)
☆271 059	Hour wheel	017 638	Tube for circuit block screw (A)
☆271 498		017 639	Tube for circuit block screw (B)
282 495	Clutch wheel	017 640	Tube for setting lever spring screw
☆354 076	Winding stem	017 641	Tube for lower end-piece for third wheel screw
383 495	Setting lever	017 657	Tube for train wheel bridge (B)
384 495	Yoke	017 972	Eccentric dial pin
388 495	Setting lever spring	☆Maxell SR926SW	Silver oxide battery
436 495	Lower end-piece for third wheel	☆SEIKO TR926SW	Silver (II) oxide battery
491 220	Dial washer		
556 495	Date finger		
701 490	Fifth wheel & pinion		
719 495	Day corrector		
☆801 114	Date dial		
☆801 289			
802 499	Date driving wheel		
810 495	Date jumper		
817 490	Intermediate date wheel		
868 495	Day finger		
873 495	Day jumper		
☆884 138	Holding ring for dial		
☆884 274			
963 490	Snap for day star with dial disk		
4001 416	Circuit block		
4002 495	Coil block		
4146 496	Step rotor		
4219 497	Battery connection Insulator (C)		
4219 498	Battery connection Insulator (A)		
4219 499	Battery connection Insulator (B)		
4239 495	Rotor stator		
4270 495	Battery connection (-)		
4271 496	Battery connection (+)		
4446 495	Crystal unit cushion		
011 541	Upper hole jewel for step rotor		
011 541	Lower hole jewel for step rotor		
012 170	Train wheel bridge screw		
012 170	Coil block screw		
012 170	Circuit block screw		
012 170	Calendar plate screw		

☆ Please see remarks on the reverse page.
 Part numbers in light letters are not shown in photos.

Cal. 6923A

Remarks :

Day star with dial disk

☆170 312(English-Spanish, black figures on white background).....

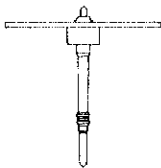
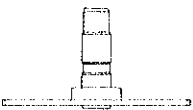

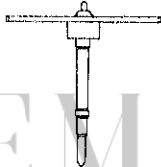


Used when both the crown and the calendar frame are located at 3 o'clock position.

If any other type of day star with dial disk is required, specify the number printed on the disk.

Fourth wheel & pinion, Center minute wheel, Hour wheel.

There are two different types as specified below.

Combination :

Type	Fourth wheel & pinion	Center minute wheel	Hour wheel
a	 ☆241 496	 ☆270 499	 ☆271 498
b	 ☆241 499	 ☆270 039	 ☆271 059

Winding stem

☆354 076.....Refer to the photograph on the front page.

If the combination of the winding stem and case is unknown, check the case number and refer to "SEIKO Quartz Casing Parts Catalogue" to choose a corresponding winding stem.

Date dial

☆801 114(Black figures on white background) } Used when the crown are located at 3 o'clock or
 ☆801 289(White figures on black background) } 4 o'clock position and the calendar frame at
 3 o'clock position.

If any other type of date dial is required, specify ① Cal. No. ② The crown position ③ The calendar frame position ④ Dial No. and ⑤ Color of date dial.

Holding ring for dial

☆884 138 }The type of a holding ring for dial is determined based on the design of cases.
 ☆884 274 }

If the shape of holding ring for dial is different from the photograph, check the case number and refer to "SEIKO Quartz Casing Parts Catalogue" to choose a corresponding holding ring for dial.

Battery

☆Maxell SR926SW }The substitutive battery might be added to the applied battery in the future.
 ☆SEIKO TR926SW }

In that case, please refer to separate "BATTERY LIST FOR SEIKO QUARTZ WATCHES".

Note that SEIKO battery is marked with "SEIZAIKEN" on its (+) side.