



Seiko 2625A Movement Parts (1)

Compiled by EmmyWatch - <https://www.emmywatch.com>

Cal. 2625A



131 269	231 260	☆241 260	261 260	☆270 260	☆271 267	281 260
282 261	☆354 260	☆354 262	372 260	373 250	☆383 260	☆383 265
384 260	389 260	391 260	436 260	491 260	495 260	556 261
560 260	701 260	706 260	☆801 261	802 260	808 261	810 261
817 260	☆884 261	4001 270	☆4002 261	4146 260	4216 260	4219 262
4239 260	4242 260	4270 260	4455 260	011 409	☆SEIKO SB-DL	

012 151	012 159	012 459	012 768	012 781	017 125	017 126
017 127	017 128	017 129	017 130	017 131	017 936	

Cal. 2625A

Characteristics :

Casing diameter: ϕ 17.6 mm
 Maximum height: 3.2 mm without battery
 Jewels: 2 j
 Frequency of quartz crystal oscillator: 32,768 Hz (Hz=Hertz cycles per second)
 Driving system: Step motor system (2 poles)
 Regulation system: Trimmer condenser
 Second setting device
 Calendar (Date)
 Instant setting device for date calendar
 Battery life indicator: Second hand moves in two-second interval.

PART NO.	PART NAME	PART NO.	PART NAME
131 269	Third wheel bridge	4219 262	Insulator for battery connection
231 260	Third wheel & pinion	4239 260	Rotor stator
☆ 241 260	Fourth wheel & pinion (4.54 mm)	4242 260	Plus terminal of battery connection
☆241 261	Fourth wheel & pinion (4.22 mm)	4270 260	Battery connection
☆241 264	Fourth wheel & pinion (4.81 mm)	4455 260	Reset lever
261 260	Minute wheel	011 409	Upper hole jewel for step rotor
☆ 270 260	Center minute wheel with cannon pinion (2.58 mm)	011 409	Lower hole jewel for step rotor
☆270 261	Center minute wheel with cannon pinion (2.26 mm)	012 151	Third wheel bridge screw
☆270 269	Center minute wheel with cannon pinion (2.85 mm)	012 151	Circuit block screw A
☆ 271 267	Hour wheel (1.37 mm)	012 151	Coil block screw (Screw for plus terminal of battery connection)
☆271 271	Hour wheel (1.61 mm)	012 159	Circuit block screw B
281 260	Setting wheel	012 459	Case screw
282 261	Clutch wheel	012 768	Setting lever axle spring screw
☆ 354 260	Winding stem (13.85 mm)	012 781	Date dial guard screw
☆ 354 262	Winding stem (19.55 mm)	017 125	Tube for circuit block A
372 260	Joint stem (movement portion)	017 126	Tube for circuit block B
373 250	Joint stem (case portion)	017 127	Tube for circuit block C
☆ 383 260	Setting lever	017 128	Second setting lever pin
☆ 383 265	Setting lever	017 129	Tube for third wheel bridge screw A
384 260	Yoke (Clutch lever)	017 130	Tube for third wheel bridge screw B
389 260	Setting lever axle spring	017 131	Tube for coil block screw
391 260	Second setting lever	017 936	Eccentric dial pin
436 260	Lower end-piece for third wheel	☆SEIKO SB-DL } ☆SEIKO TR726SW }	Silver peroxide battery
491 260	Dial washer		
495 260	Spacer for third wheel bridge		
556 261	Date finger		
560 260	Friction spring for fourth wheel & pinion		
701 260	Fifth wheel & pinion		
706 260	Sixth wheel & pinion		
☆ 801 261	Date dial		
☆801 265	Date dial		
802 260	Date driving wheel		
808 261	Date dial guard		
810 261	Date jumper		
817 260	Intermediate date wheel		
☆ 884 261	Holding ring for dial		
4001 270	Circuit block		
☆ 4002 261	Coil block		
4146 260	Step rotor		
4216 260	Insulator for battery		

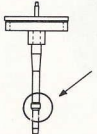
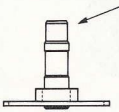
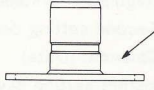
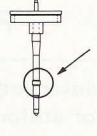
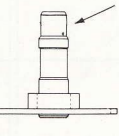
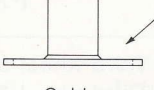
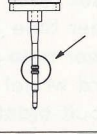
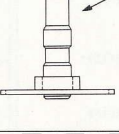

☆ ⇨ Please see remarks on the reverse page.
 Part numbers in light letters are not shown in photos.

Cal. 2625A

Remarks :

Fourth wheel & pinion, Center minute wheel with cannon pinion, Hour wheel.
There are three different types as specified below.

Combination :

Type	Fourth-wheel & pinion	Center minute wheel with cannon pinion	Hour wheel
a			 Silver
	☆241 261	☆270 261	☆271 267
b			 Gold
	☆241 260	☆270 260	☆271 271
c			 Gold
	☆241 264	☆270 269	☆271 271

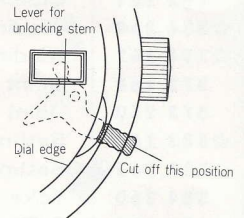
Winding stem.....Refer to the photograph on the front page.

- ☆354 260.....Short winding stem (Thread is provided completely on the crown portion.)
- ☆354 262.....Long winding stem (Thread is provided only on the end of the crown portion.)

If the combination of the winding stem and case is unknown, check the case number and refer to "SEIKO Quartz Casing Parts List" to choose a corresponding winding stem.

Setting lever

- ☆383 260 }.....There are two types of setting lever. 383 260 can be used as it is. 383 265 can be used by cutting its tail. The size of a setting lever is determined based on the design of cases.
 - ☆383 265 }
- When adjusting the length of the setting lever by cutting its tail, be sure that the tail partly comes out of the dial as shown in the illustration. If the tail is hidden from view by the dial, it will be difficult to disassemble the winding stem.



If the combination of the setting lever and case is unknown, check the case number and refer to "SEIKO Quartz Casing Parts List" to choose an appropriate setting lever.

Date dial

- ☆801 261 (Black figures on white background)..... Used when both the crown and the calendar frame are located at **3** o'clock position.
- ☆801 265 (Black figures on white background)..... Used when the crown are located at **3** o'clock position and the calendar frame at **6** o'clock position.

If any other type of date dial is required, specify ① Cal. No. ② Jewels ③ The crown position ④ The calendar frame position and ⑤ Dial No.

Holding ring for dial

- ☆884 261.....The type of a holding ring for dial* is determined based on the design of cases and dials. If the shape of holding ring for dial is different from the photograph, check the case number and refer to "SEIKO Quartz Casing Parts List" to choose a corresponding holding ring for dial.

Coil block

- ☆4002 261.....The parts that have the same parts No. as 4002 261 are interchangeable, even if the color of that parts is different.

Battery

- ☆SEIKO SB-DL }.....The applied battery for this calibre might be added the substitutive in the future. In that case,
 - ☆SEIKO TR726SW }
- please refer to separate "BATTERIES FOR SEIKO QUARTZ WATCHES"