

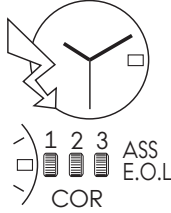


**Omega 1530 Movement Parts (1)**

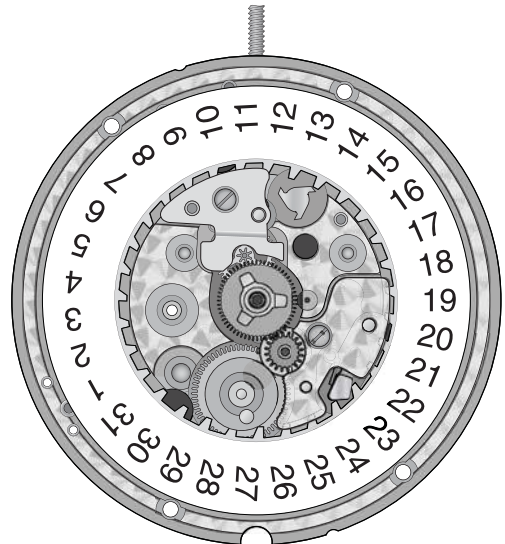
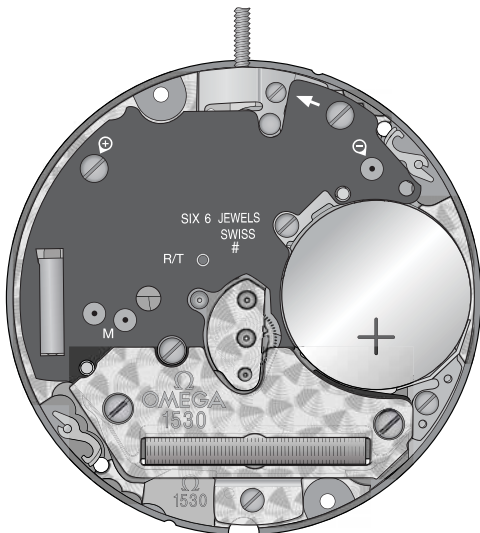
*Compiled by EmmyWatch - <https://www.emmywatch.com>*

	Technical Guide			TG-19-C-025-E	C
	Made by: pelrom	Date: 24.10.2008	3	Modifications: see last page	

# CALIBRE 1530



	Version A	Version B	Version C	Version D
10 1/2''' Ø 23,30 mm				
Height on movement	1.95 mm			
Height on battery	2.15 mm			
Number of rubies	6			
RoHS model	No	No	Yes	Yes



EMMYWATCH  
VINTAGE RESTORATIONS



Omega personalised quartz movement, featuring circular graining, rhodium-plating and gilded engraving. Three-hand display - hours and minutes and seconds, date. Stepper servo-motor, sixty impulses per minute, inhibition, EOL

	Page
Calibre 1530	1
General information for Calibre 1530	3-4
Technical modifications on version «B»	3
Technical modifications on version «D»	3
Information on the battery / Movement exchange is recommended / Tools	4
Differences between non Rohs 1530A, 1530B and Rohs 1530C, 1530D	5
Spare parts list for Calibre 1530	6
Specific information for Calibre 1530	7-8
Hand fitting height / Runners for hand setting and hand setting force	7
Electrical tests	8
Modifications of Technical Guide for Calibre 1530	9

Seconds wheel	
Version 1530A	Version 1530B
Former execution	New execution
7221530227	7221530B30027*
	
	Improve the accuracy of the seconds hand jump. New version from date code: Ref. 7221530B3002701: 42/05 Ref. 7221530B300270: 13/05

Wheel train bridge	
Version 1530A	Version 1530B
Former execution	New execution
7221538B1004807	7221538B1004807
	
	A magnet to stabilise the seconds wheel has been added. New version from date code: 10/04

Version A / B / C

Ref. 722143030012 Ref. 7221530B30027* Old seconds wheel (grey) and intermediate wheel (yellow)

Version D

Kit Ref. 7221530D9999* New seconds wheel (yellow) and intermediate wheel (grey).
Reduction of the play of the wheel engagement to improve seconds hand jump.
New version from date code: 42/07

## The policy for local repair is:

We recommend a movement exchange (see Working Instruction no. 31).

In case of local repair, the exchange or replacement of spare parts must be made according to the movement version (see engraving on main plate). Example: On a movement calibre 1530B, the parts to exchange or replace are those mentioned under version 1530B.

## Technical modifications on version «B»

### Calibre 1530A + 1530B

#### Application :

When repairing a version A or B, the new components must be used systematically.

#### Goal of the technical modifications:

Improve the accuracy of the seconds hand jump in relation to the dial markers.

EMMY WATCH  
VINTAGE RESTORATIONS

## Improvement of the seconds jumps on calibre 1530D

In order to better meet our customers requirements, the jump of the seconds hand on calibre 1530D has been further improved.

## Technical modifications on version «D»

### Calibre 1530D

#### Application :

When repairing a version D, the new components must be used systematically.

When ordering one of the two components individually, an automated order of KIT ref. 7221530D9999\* is issued.

It comprises:

Seconds wheel ref. 7221530D30027\*

Intermediate wheel ref. 7221530D30012

#### Goal of the technical modification:

Further improve the accuracy of the seconds hand jump in relation to the dial markers, including a reduction of the wheel engagement play.

#### Interchangeability

New and old wheel executions must not be mixed; there is a **serious risk of blocking**.

Calibre version 1530C was produced with old and new wheel executions. We therefore suggest to systematically use new wheels from the KIT ref. 7221530D9999\*.

### Major points

### Information on the battery (ref. 1449936)

1,55 V	«Low Drain»
Ø 9,50 mm,	H 1,60 mm
Renata	373
Vartachron	V373
UCAR, Energizer, Ray-O-Vac	373
Maxell, Panasonic, Sony	SR916SW

EMMYWATCH  
VINTAGE RESTORATIONS

### Mandatory tools :

#### Hand fitting

Movement holder for hand setting

#### Ref.

507 0023

#### Tweezers

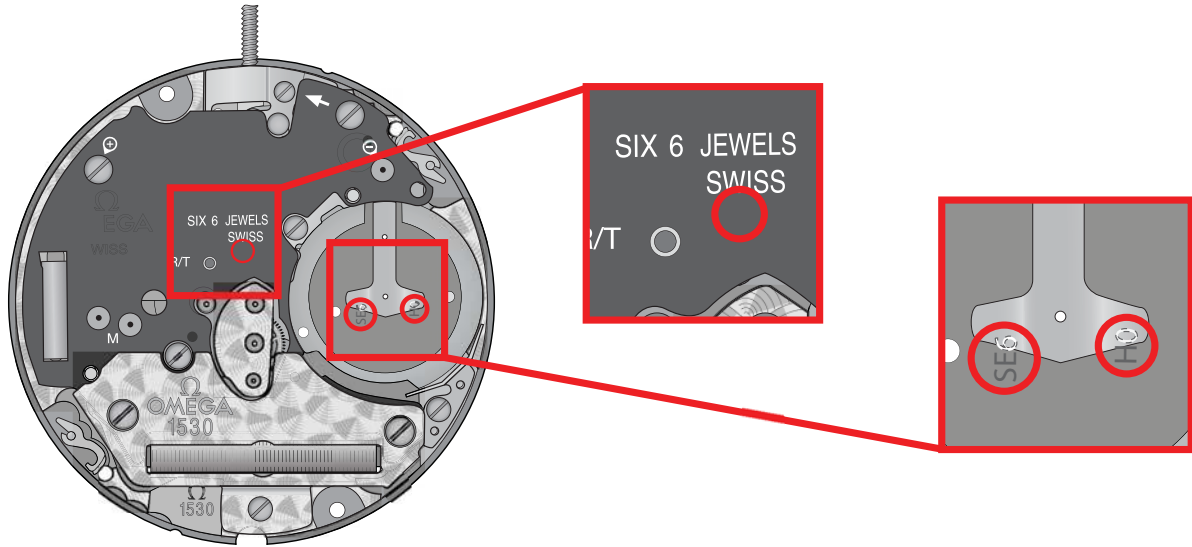
Plastic tweezers

502 310 0051

# Differences between version 1530A, 1530B, 1530C and 1530D

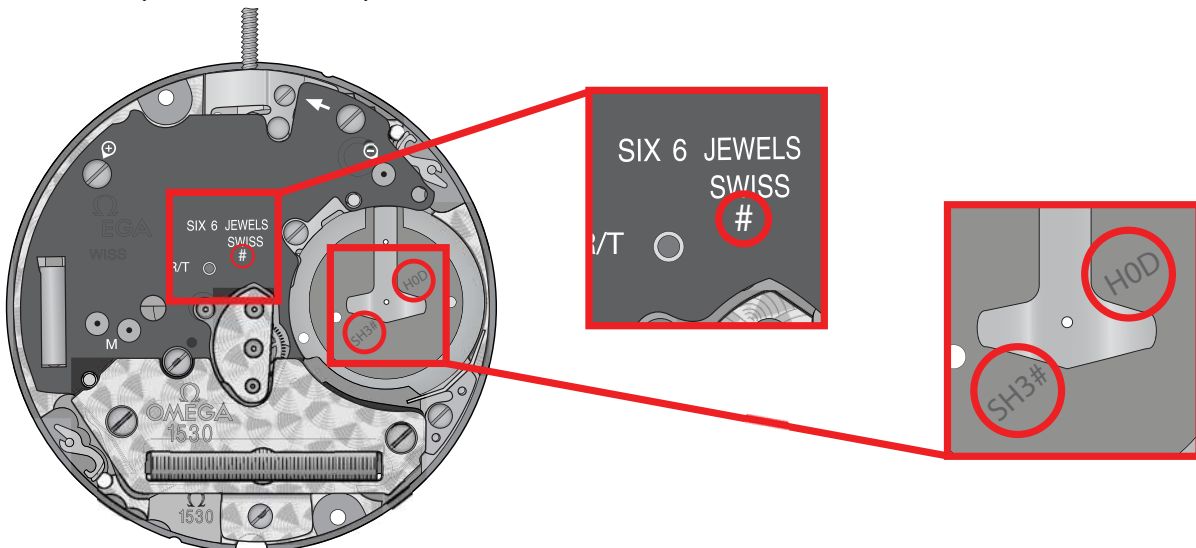
Differences between a non-RoHS version and a RoHS version

Non-RoHS version, Calibre 1530A, 1530B


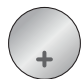






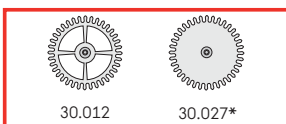


EMMYWATCH  
VINTAGE RESTORATIONS

RoHS version, Calibre 1530C, 1530D



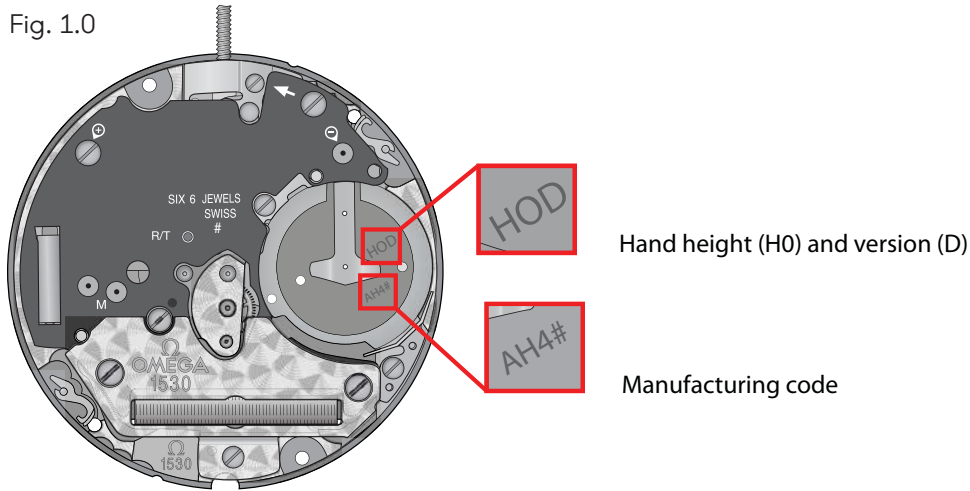
## Spare parts list for calibre 1530

Hour wheel	Version	Référence
	1530A	722143031046*
	1530B	
	1530C	
	1530D	
Battery	Version	Reference
	1530A	1449936
	1530B	
	1530C	
	1530D	
Battery insulator	Version	Reference
	1530A	72214302065100
	1530B	
	1530C	
	1530D	
Bridle insulator	Version	Reference
	1530A	72214302065118
	1530B	
	1530C	
	1530D	
Ridle	Version	Reference
	1530A	72214209035
	1530B	
	1530C	
	1530D	
Hand setting stem Ø 0.90 mm / L 15.00 mm	Version	Reference
	1530A	72214305102021
	1530B	
	1530C	
	1530D	
Hand setting half-stem movement side, beak	Version	Reference
	1530A	72214305102126
	1530B	
	1530C	
	1530D	
Ridle screw	Version	Reference
	1530A	72200003987
	1530B	
	1530C	
	1530D	
Kit second wheel + intermediate wheel	Version	Reference
 30.012      30.027*	1530A	-
	1530B	-
	1530C	-
	1530D	7221530D9999*

OMEGA WATCH  
VINTAGE RESTORATIONS

1.0 Information on height of hands

Fig. 1.0



Hand height (H0) and version (D)

Manufacturing code

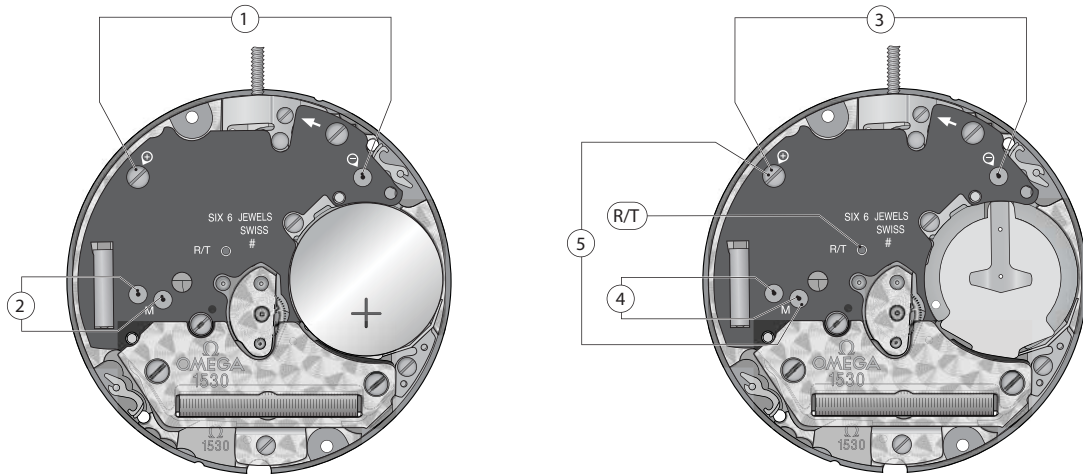
1.1 Runners for hand setting and hand setting force

Description	Movement holder for hand setting	No of runners for hand setting	Minimum force (N)	Maximum force (N)	Support (jewel)
Hours hand	507 0023	4	10	55	no
Minutes hand		2	10	55	no
Seconds hand		1	10	30	yes



Fig. 2.0

2.0 Electrical tests



Pos.	Setting of apparatus	Measurement	Test	Remarks
1	2 V ( $R_i \geq 10 \text{ k}\Omega / \text{V}$ )	1,55 V	Battery voltage	Measured with battery
2	1 V ( $R_i \geq 10 \text{ k}\Omega / \text{V}$ )	For Witschi Q 6000: the motor LED lights up at each impulse.	Impulses per minute at the integrated circuit output 1 per second.	Measured with checked battery.
3	10 $\mu\text{A}$	1,20 $\mu\text{A}$	Movement consumption	Measured without battery, external supply, 1,55 V
		Jump of four steps every four seconds until supply voltage < 1,30 V	EOL. Consumption higher than normal.	Measurement without battery, with supply voltage < 1.40 V, EOL function after ~ 2 minutes.
		0,5 $\mu\text{A}$	Operation of the time setting stem switch in position 3	Measured without battery, external supply, 1,55 V.
	2 V	$\leq 1,30 \text{ V}$ Bring the (R/T) point and track $\ominus$ . Control of motor with 8 steps/ sec at 1,55 V and 32 steps/sec under voltage $\leq 1,30 \text{ V}$ (EOL).	Lower limit for operating voltage.	Measured without battery, variable external supply, starting with 1,55V, continually reduce voltage until movement stops.
4	$\bullet 10 \text{ k}\Omega$	1,3 - 1,8 $\text{k}\Omega$	Coil resistance	Measured without battery.
5	200 $\mu\text{A}$	110 - 155 $\mu\text{A}$	Coil insulation	

• Ohmmeters with measuring voltage greater than 0.40V inappropriate; recommended voltage 0.20V.  
Ambient temperature 20°C.

Adjustment of the operation by inhibition. The operation can only be measured with a device used to measure intervals of 60 seconds or multiples of 60 seconds. The rate must be measured with ambient temperature between 20°C and 30°C.

## Modifications of Technical Guide for Calibre 1530

Technical Guide versions				
Date of first edition:	07.05.2007	Version A	Made by:	pelrom
Date of second edition:	22.01.2008	Version B		rendav
Date of last edition:	24.10.2008	Version C		

Modifications of Technical Guide version B	
Old (version A)	New (version B)
	Additional Kit second wheel + intermediate wheel ref. 7221530D9999*.

Modifications of Technical Guide version C	
Old (version B)	New (version )
	All the information's that are mentioned in red have been modified or updated.

EMMYWATCH

VINTAGE RESTORATIONS