

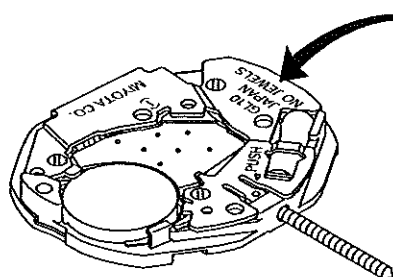
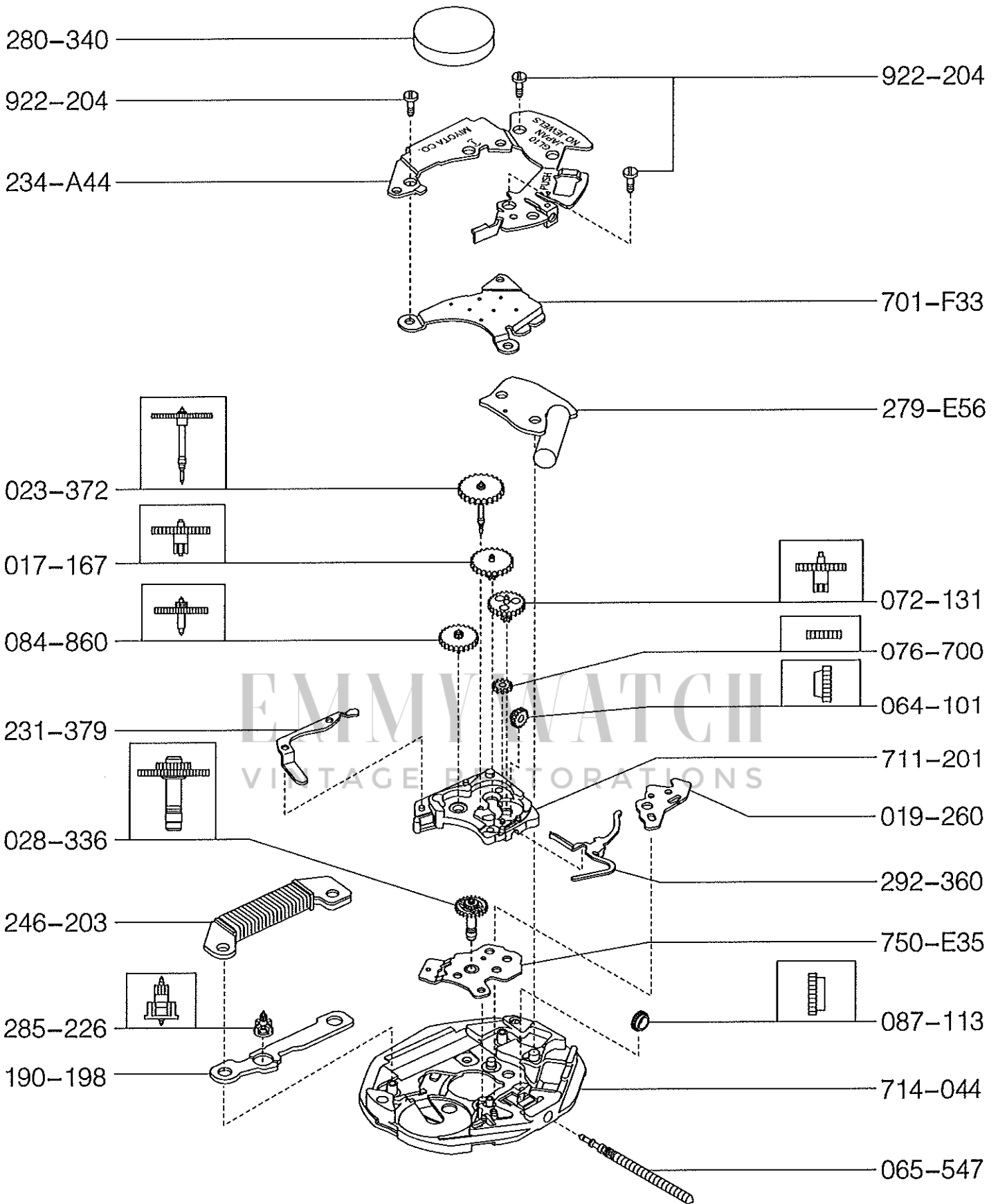


Miyota GL20,GL30,GL00,GL10,GM00,GM10 Movement Parts (1)

Compiled by EmmyWatch - <https://www.emmywatch.com>

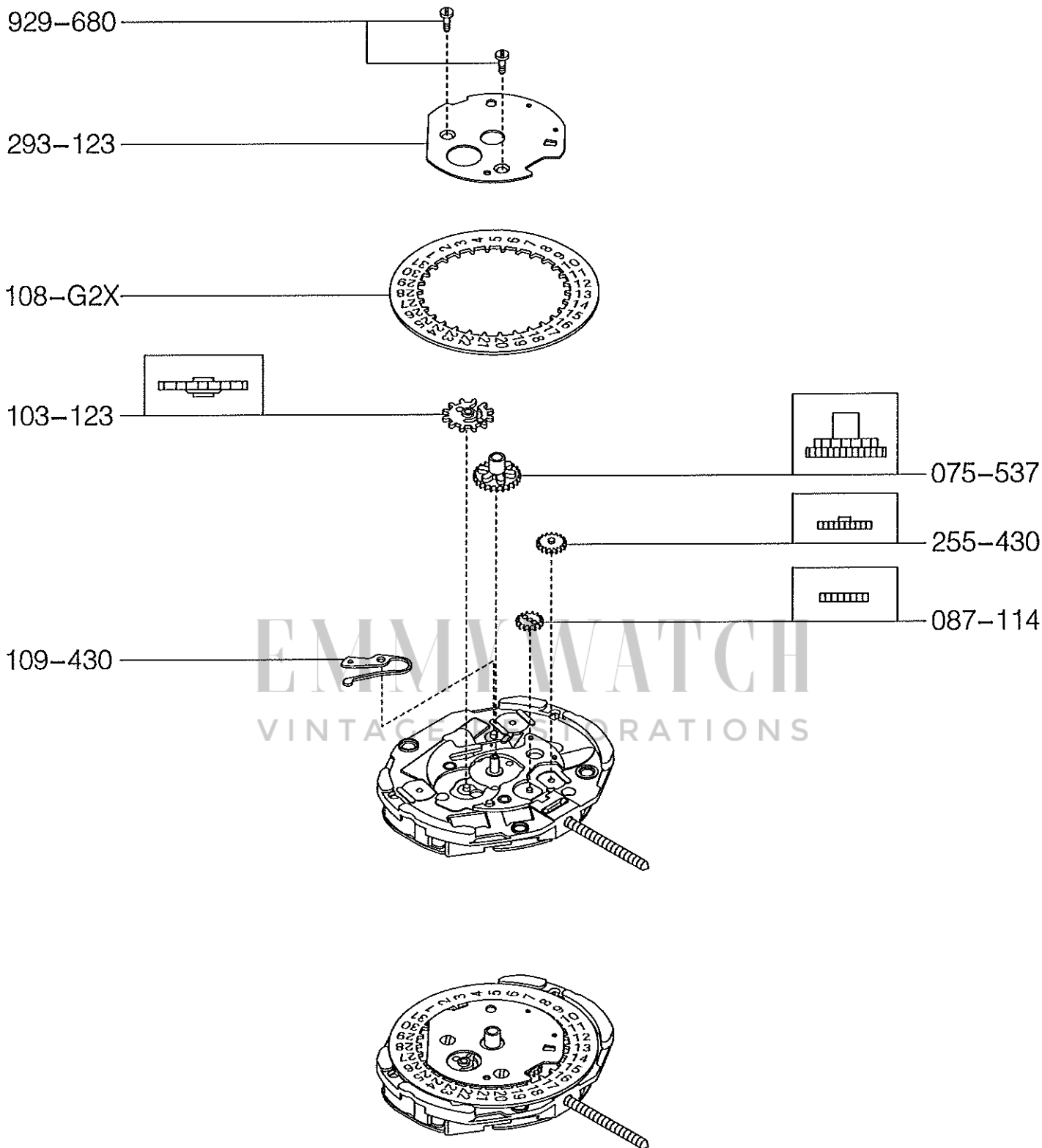
***** CAL. **GL/GM**** MOV'T PART LIST *****
ORIGINAL PARTS, MADE IN JAPAN

PART NAME	GL20	GL30	GL00	GL10	GM00	GM10
BATTERY	280-3409	280-3409	280-3409	280-3409	280-3409	280-3409
BATTERY CLAMP	234-A50	234-A32	234-A48	234-A44	234-A47	234-A34
CALENDAR CORRECTOR INT. WHEEL(1)	-	-	087-113	087-113	087-113	087-113
CALENDAR CORRECTOR INT. WHEEL(2)	-	-	-	087-114	-	087-114
CALENDAR CORRECTOR LEVER	-	-	116-123	-	116-123	-
CALENDAR CORRECTOR OPERATING WHEEL	-	-	255-430	255-430	255-430	255-430
CALENDAR PLATE	-	-	714-047	714-043	714-045	714-041
CANNON PINION WITH DRIVING WHEEL	028-342	028-335	028-339	028-336	028-339	028-336
CENTER WHEEL COCK	711-199	711-199	711-200	711-200	711-200	711-200
CLUTCH WHEEL	064-101	064-101	064-101	064-101	064-101	064-101
COIL UNIT	246-203	246-203	246-203	246-203	246-203	246-203
DATE DIAL (DATE DISK)	-	-	108-F8XX	108-G2XX	108-F7XX	108-G1XX
DATE DIAL DRIVING WHEEL	-	-	103-125	103-123	103-125	103-123
DATE DIAL GUARD	-	-	293-127	293-123	293-127	293-123
DATE JUMPER	-	-	109-430	109-430	109-430	109-430
DAY DIAL GIB	-	-	178-140	-	178-140	-
DAY DIAL (DAY DISK)	-	-	308-A5XX	-	308-A4XX	-
ELECTRONIC CIRCUIT UNIT	279-E56	279-E56	279-E56	279-E56	279-E56	279-E56
FIFTH WHEEL AND PINION	084-860	084-860	084-860	084-860	084-860	084-860
FOURTH WHEEL AND PINION	023-379	023-371	023-377	023-372	023-377	023-372
HOUR WHEEL	075-535	075-535	075-543	075-537	075-543	075-537
HOUR WHEEL GUARD	176-119	176-119	-	-	-	-
MINUTE WHEEL AND PINION	072-131	072-131	072-131	072-131	072-131	072-131
YOKE (TRAIN WHEEL SETTING LEVER)	292-360	292-360	292-360	292-360	292-360	292-360
ROTAR	285-226	285-226	285-226	285-226	285-226	285-226
SCREW (COIL, CIRCUIT, BATT. CLAMP)	922-204	922-204	922-204	922-204	922-204	922-204
SCREW FOR DATE DIAL GUARD	-	-	929-680	929-680	929-680	929-680
SETTING LEVER SPRING	019-260	019-260	019-260	019-260	019-260	019-260
SETTING STEM	065-541	065-541	065-547	065-547	065-543	065-543
SETTING WHEEL	076-700	076-700	076-700	076-700	076-700	076-700
STATOR	190-198	190-198	190-198	190-198	190-198	190-198
TRAIN WHEEL BRIDGE	701-F33	701-F33	701-F33	701-F33	701-F33	701-F33
THIRD WHEEL AND PINION	017-167	017-167	017-167	017-167	017-167	017-167
***LONGER STEM(24mm)	065-A09	065-A09	065-995	065-995	065-995	065-995

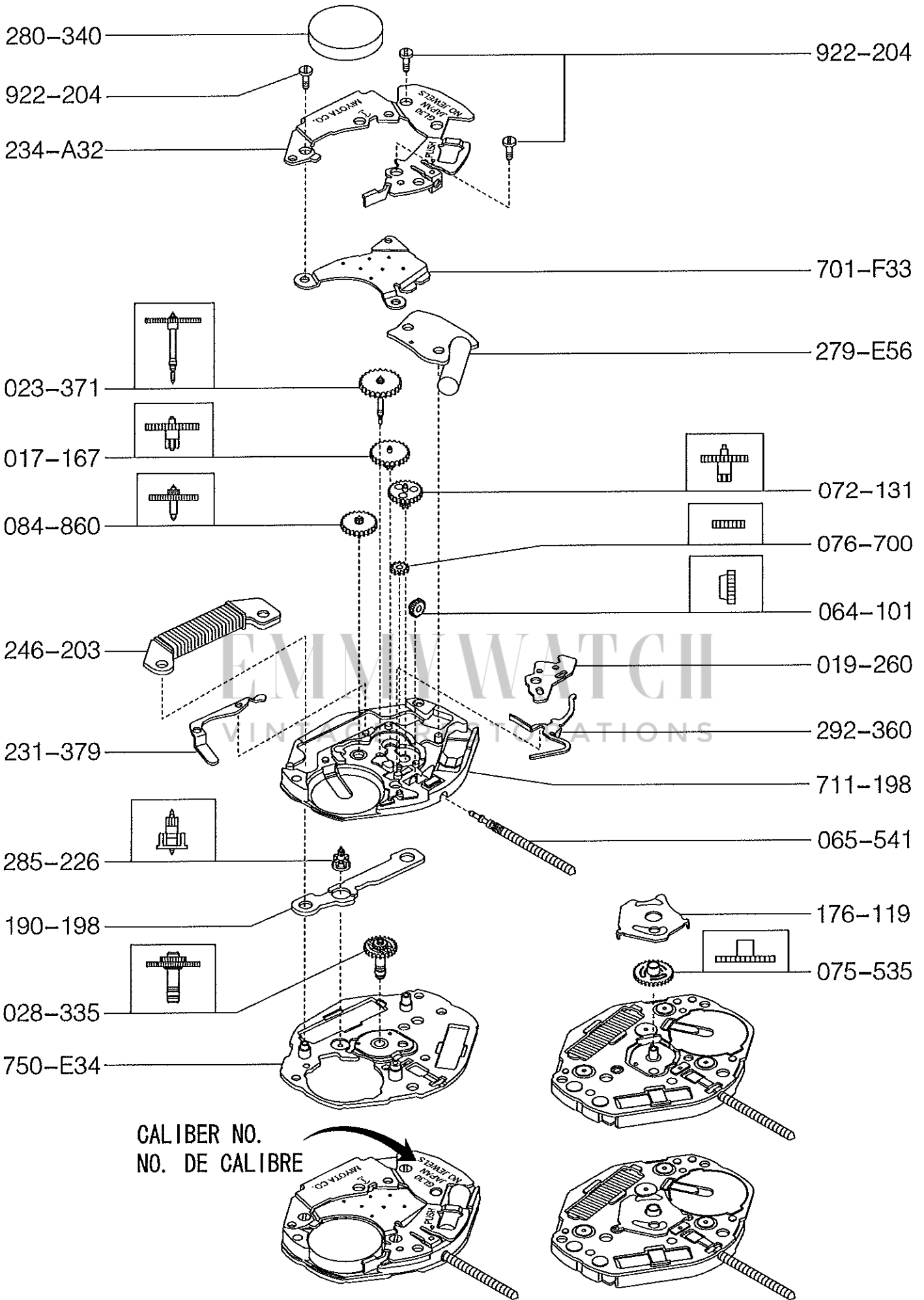


CALIBER NO.
NO. DE CALIBRE

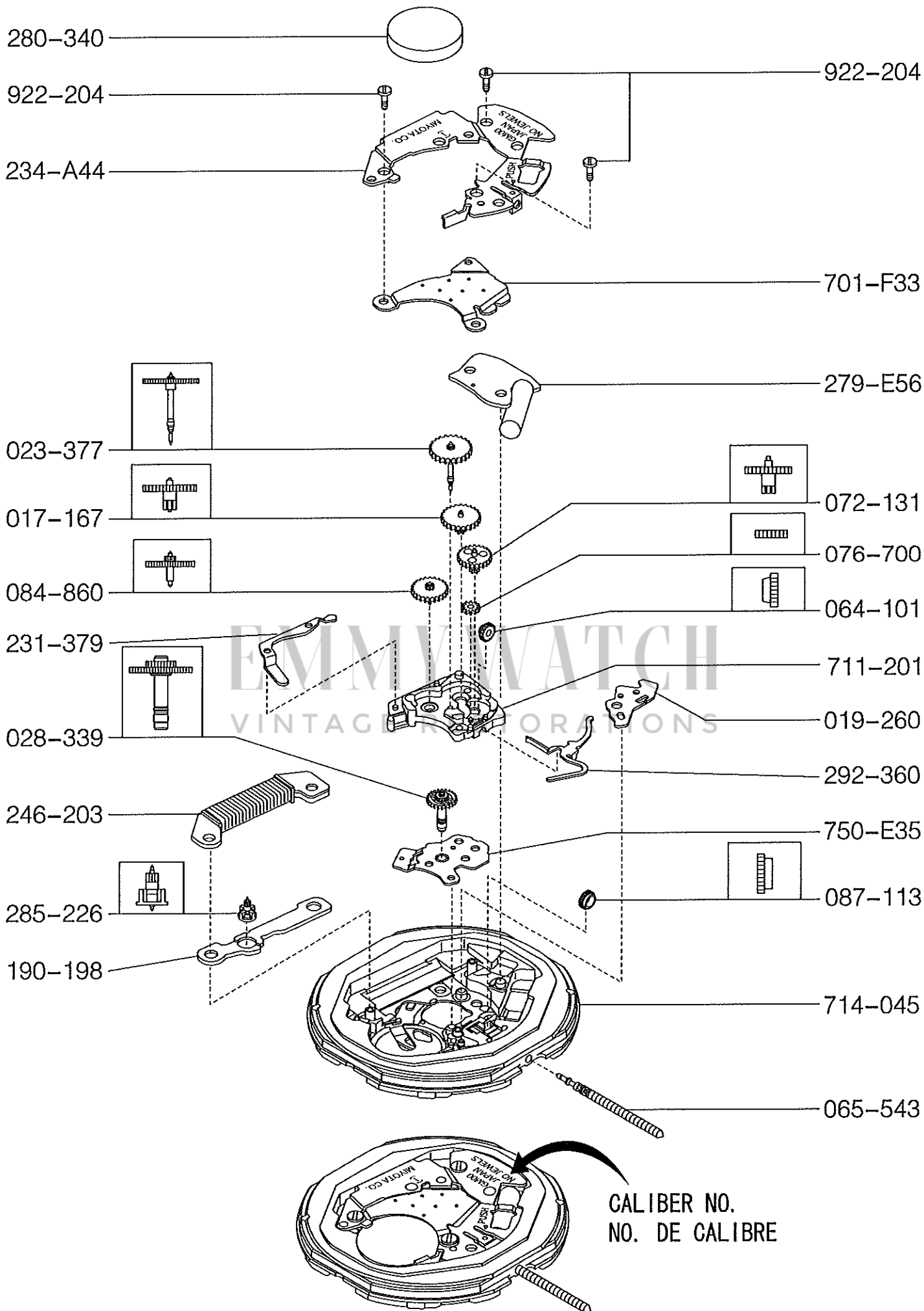
Cal No. GL10-1/2



EMMY WATCH
 VINTAGE CORPORATION



Cal No. GL30



Cal No.GM00-1/2

