



EMMYWATCH
VINTAGE RESTORATIONS

Longines 280 Movement Parts (1)

Compiled by EmmyWatch - <https://www.emmywatch.com>

LONGINES

CALIBRE 280

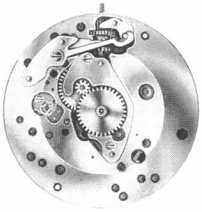
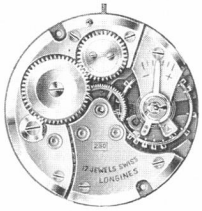
11 $\frac{3}{4}$ '''
 Ancre - 17 rubis
 Seconde au centre
 Ah 19800

11 $\frac{3}{4}$ '''
 Pallet-fork - 17 jewels
 Sweep second
 W.p.h. (vibrations per hour) 19800

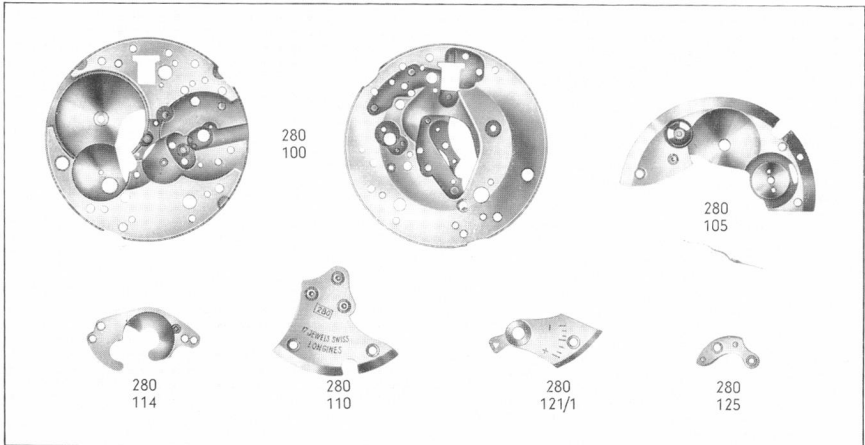
11 $\frac{3}{4}$ '''
 Ancora - 17 rubis
 Segundero central
 Ah (alternaciones horarias) 19800

11 $\frac{3}{4}$ '''
 Anker - 17 Rubine
 Zentrumsekunde
 Ah (Halbschwingungen pro Stunde) 19800

11 $\frac{3}{4}$ '''
 Ancora - 17 rubini
 Secondi al centro
 Ah (Alternanze orarie) 19800



EMMY WATCH
 VINTAGE RESTORATIONS



280

LONGINES

