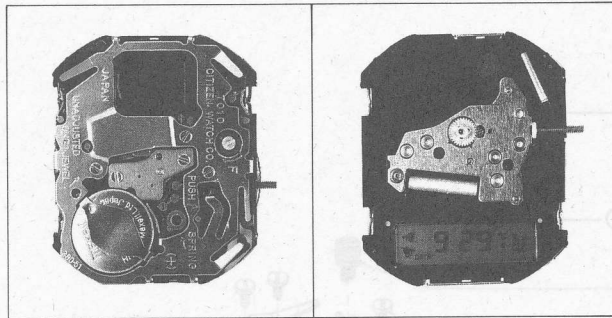




Citizen T010,T011 Movement Parts (1)

Compiled by EmmyWatch - <https://www.emmywatch.com>

Catalog No. T01-1~T01-2



T01-1
(Catalog No.)

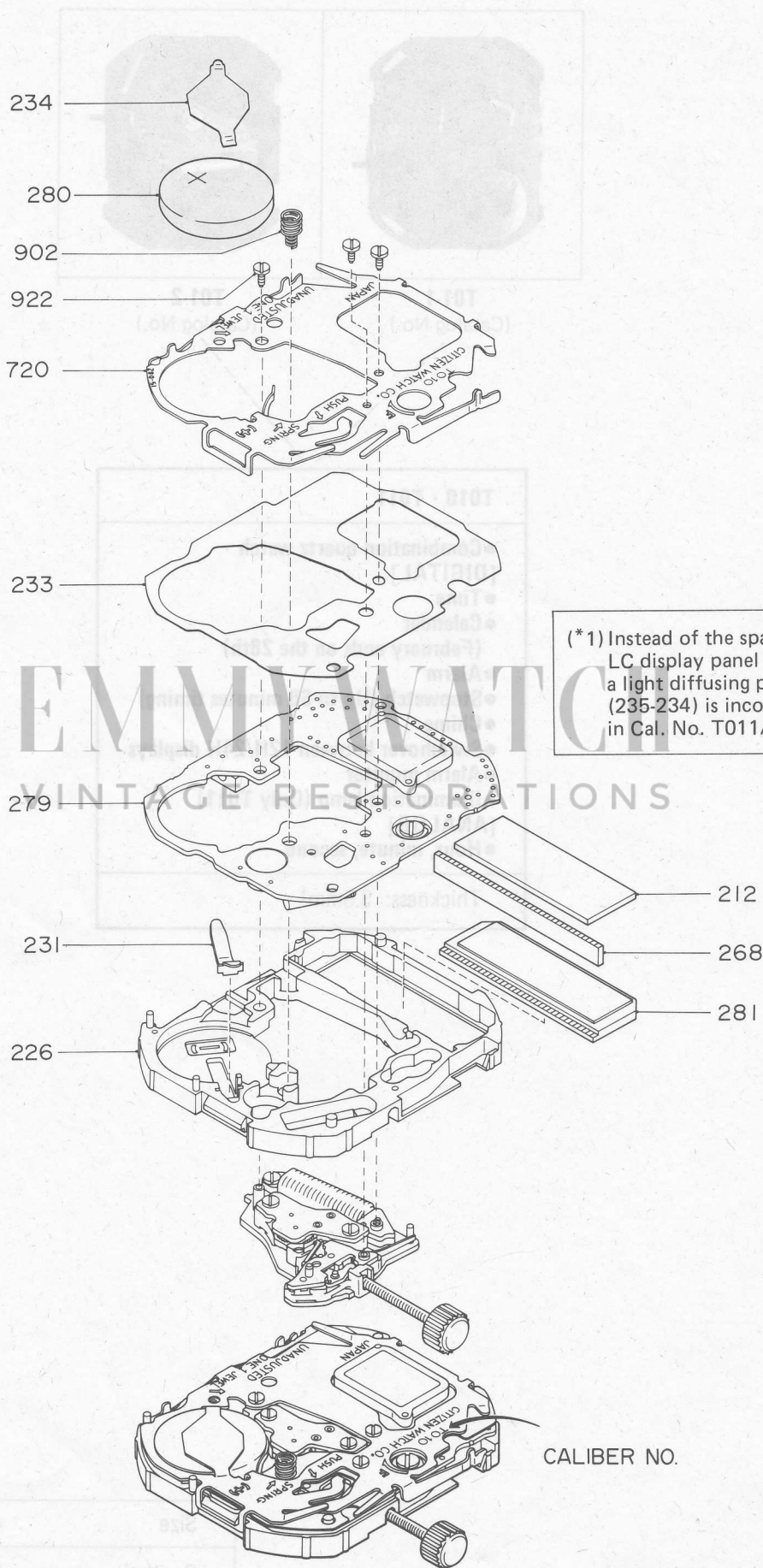
T01-2
(Catalog No.)

T010 · T011

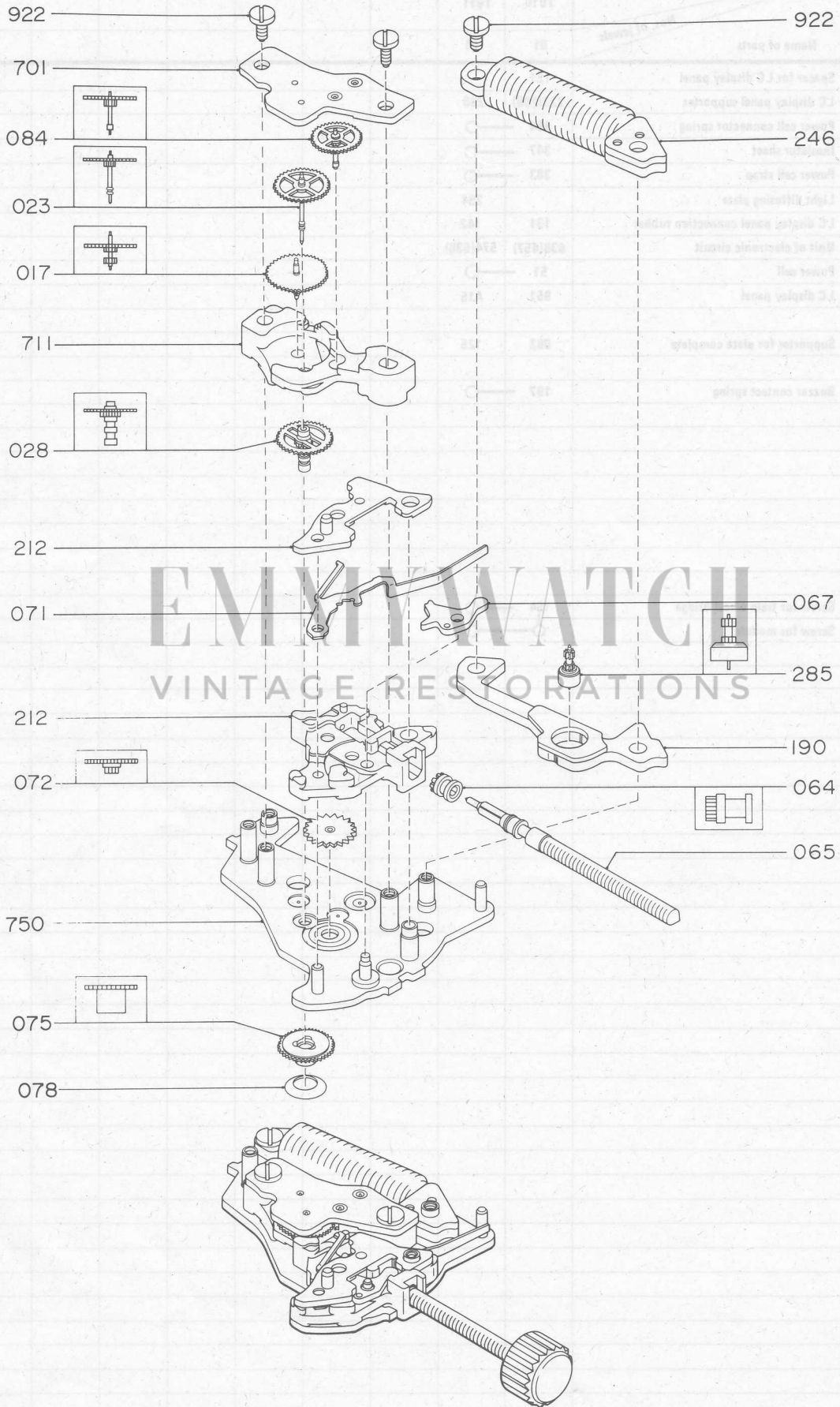
- **Combination quartz watch**
[DIGITAL]
- **Time**
- **Calendar**
(February ends on the 28th)
- **Alarm**
- **Stopwatch (Up to 60 minutes timing)**
- **Chime**
- **Switchover between 12H/24H displays**
- **Alarm monitor**
- **Illumination lamp (Only T011)**
- [ANALOG]
- **Hour, minute, second**

Thickness: 3.5mmt

Size	23.0 x 27.7mm
Oscillation per second	32,768Hz



(*1) Instead of the spacer for LC display panel (212-121), a light diffusing plate (235-234) is incorporated in Cal. No. T011A.



Catalog No. T01-2

Parts No.	Name of parts	Caliber No.																		
		Nos. of jewels																		
		T010	T011																	
		01	01																	
017	Third wheel and pinion	103	—○																	
023	Fourth wheel and pinion	155	—○																	
028	Cannon pinion with driving wheel	61	—○																	
064	Clutch wheel	66	—○																	
065	Winding stem	299	—○																	
067	Setting lever	146	—○																	
071	Yoke	77	—○																	
072	Minute wheel and pinion	76	—○																	
075	Hour wheel	193	—○																	
078	Dial washer	04	—○																	
084	Fifth wheel and pinion	19	—○																	
190	Stator	42	—○																	
212	Clutch wheel guard	20	—○																	
212	Spacer for setting stem	118	—○																	
246	Coil unit	92	—○																	
285	Rotor	57	—○																	
701	Train wheel bridge	54	—○																	
711	Center wheel cock	117	—○																	

EMMYWATCH
VINTAGE RESTORATIONS

Jewels

Parts No.	Name of parts	Caliber No.																			
		Nos. of jewels																			
		T010	T011																		
		01	01																		
942	Rotor /U	81	—○																		
950	Fifth W/U	169	—○																		
950	Rotor /L	171	—○																		