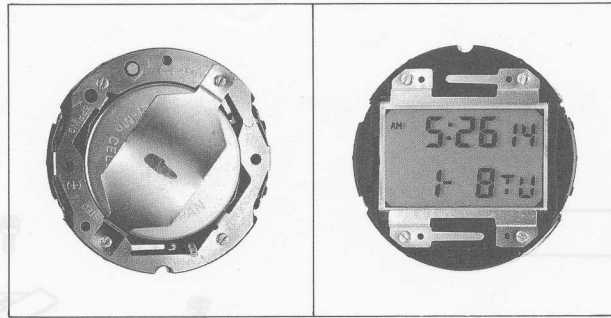




Citizen P130 Movement Parts (1)

Compiled by EmmyWatch - <https://www.emmywatch.com>

Catalog No. P130-1



P130-1
(Catalog No.)

P130-1
(Catalog No.)

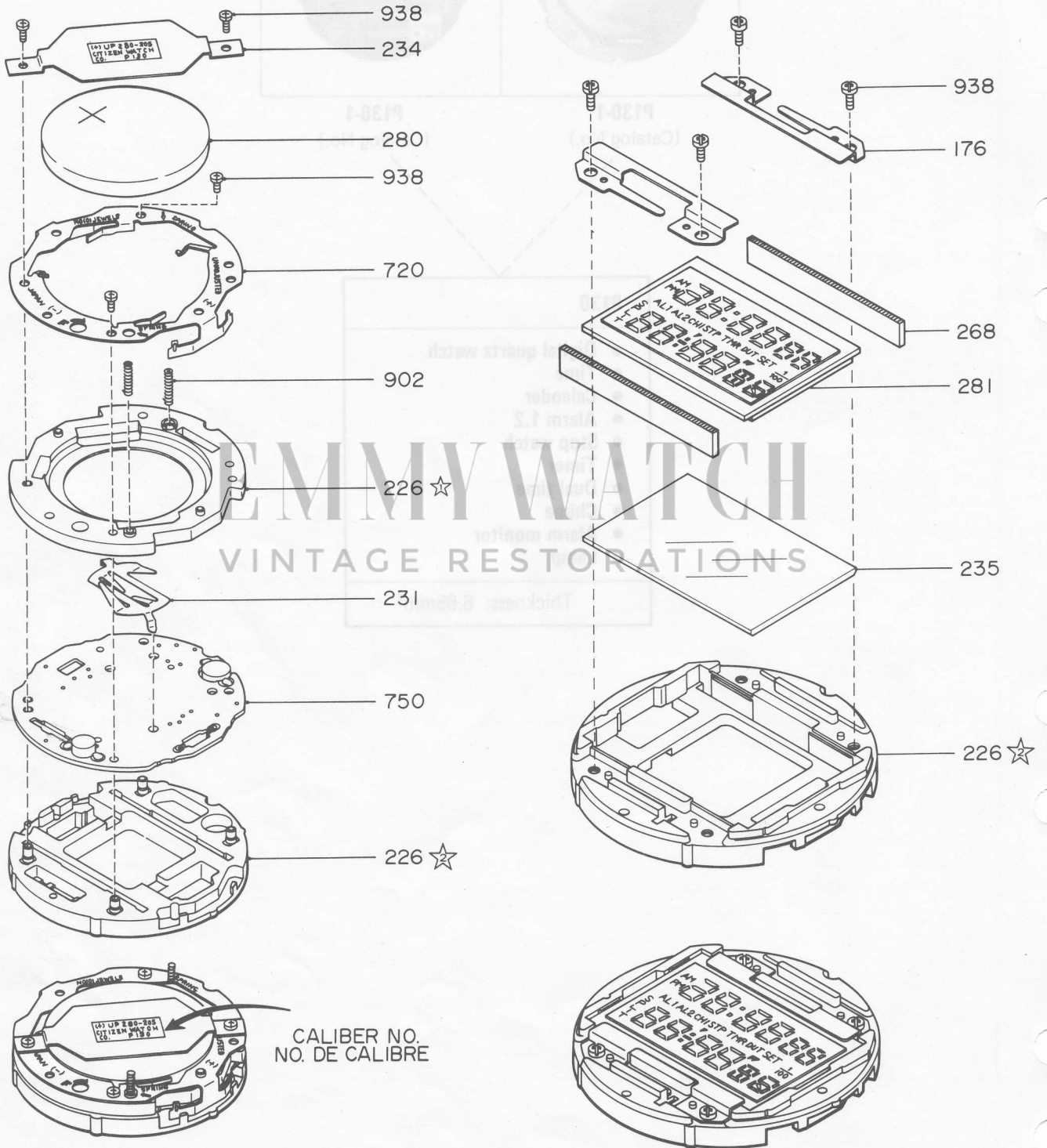
P130

- Digital quartz watch
- Time
- Calendar
- Alarm 1.2
- Stop watch
- Timer
- Dual time
- Chime
- Alarm monitor
- Lamp

Thickness: 6.85mm^t

EMMY WATCH
VINTAGE RESTORATIONS

Size	φ29.0mm
Oscillation per second	32,768Hz



(Power cell side)

(LC display side)

42.80mm	Size
32,768Hz	Oscillation per second

