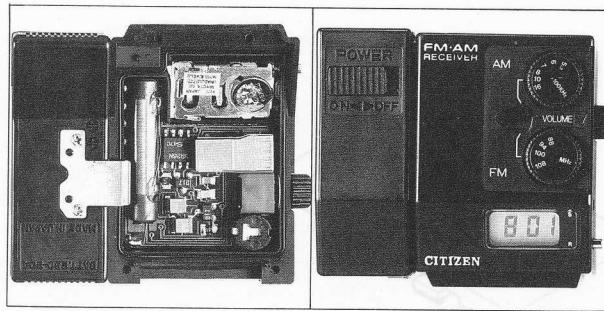




**Citizen D030,D031 Movement Parts (1)**

*Compiled by EmmyWatch - <https://www.emmywatch.com>*

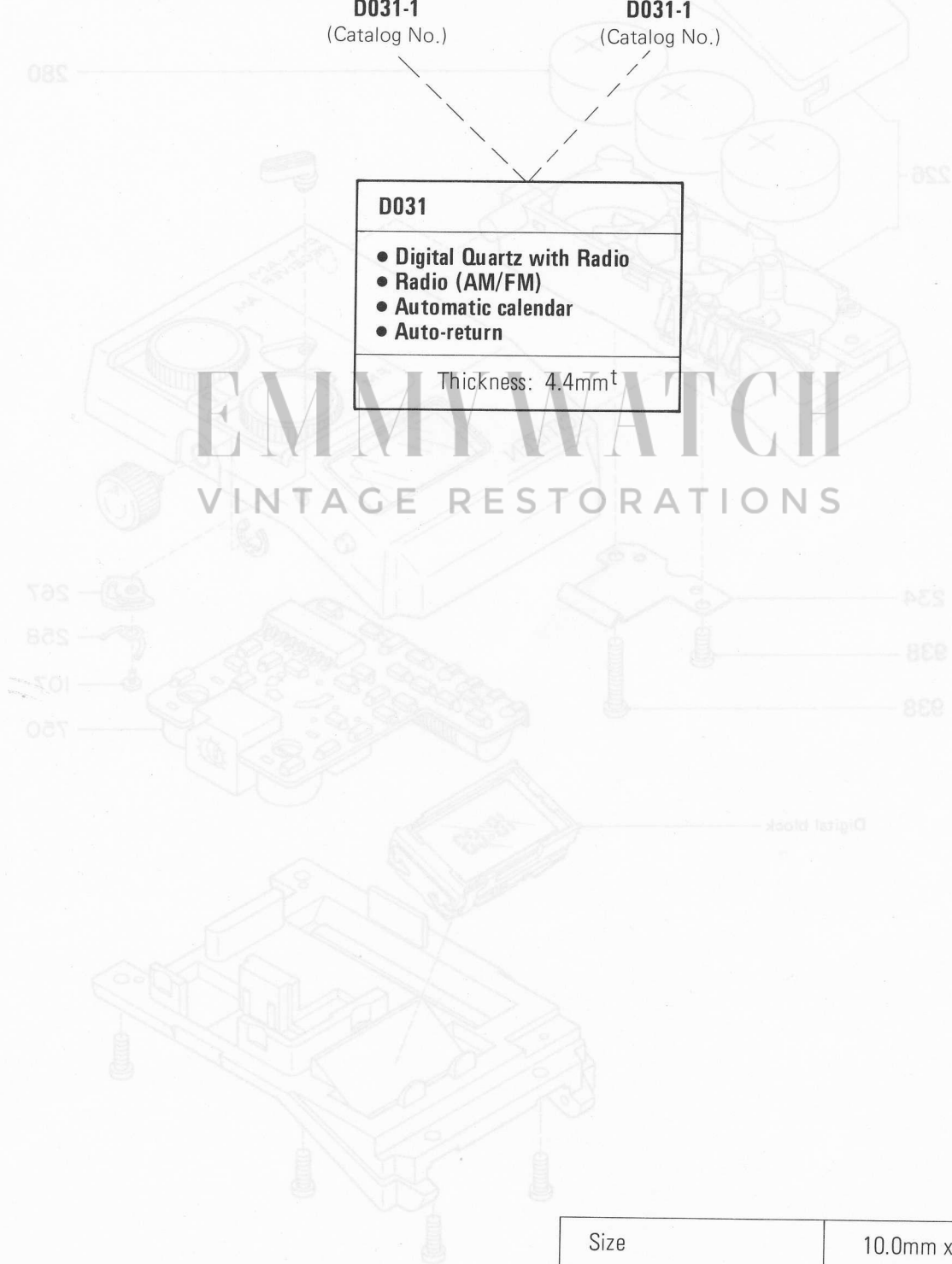
Catalog No. D031-1



**D031-1**  
(Catalog No.)

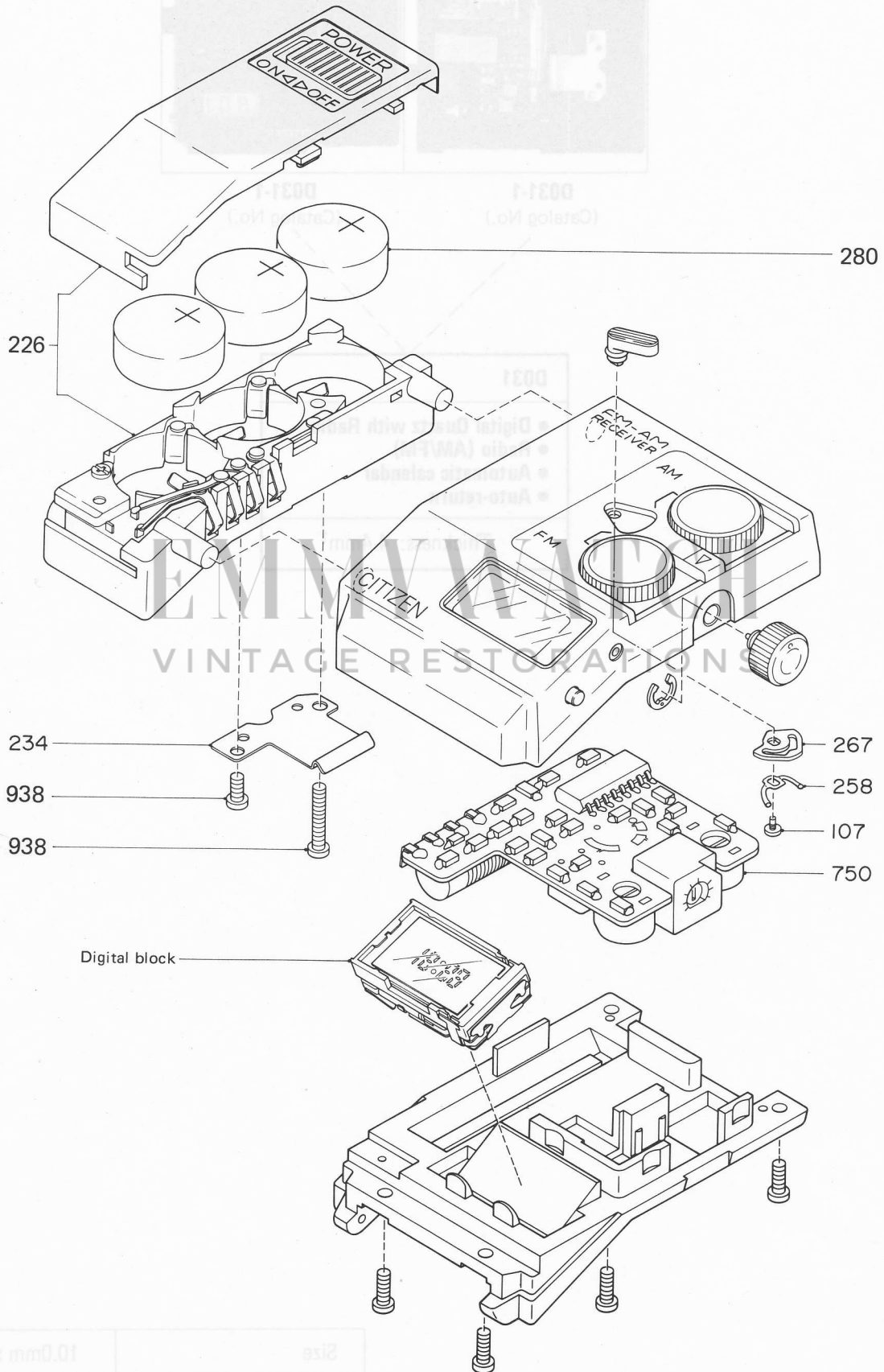
**D031-1**  
(Catalog No.)

<p><b>D031</b></p> <ul style="list-style-type: none"> <li>• Digital Quartz with Radio</li> <li>• Radio (AM/FM)</li> <li>• Automatic calendar</li> <li>• Auto-return</li> </ul> <p>Thickness: 4.4mm<sup>t</sup></p>
--



Size	10.0mm x 17.0mmφ
Oscillation per second	32,768Hz

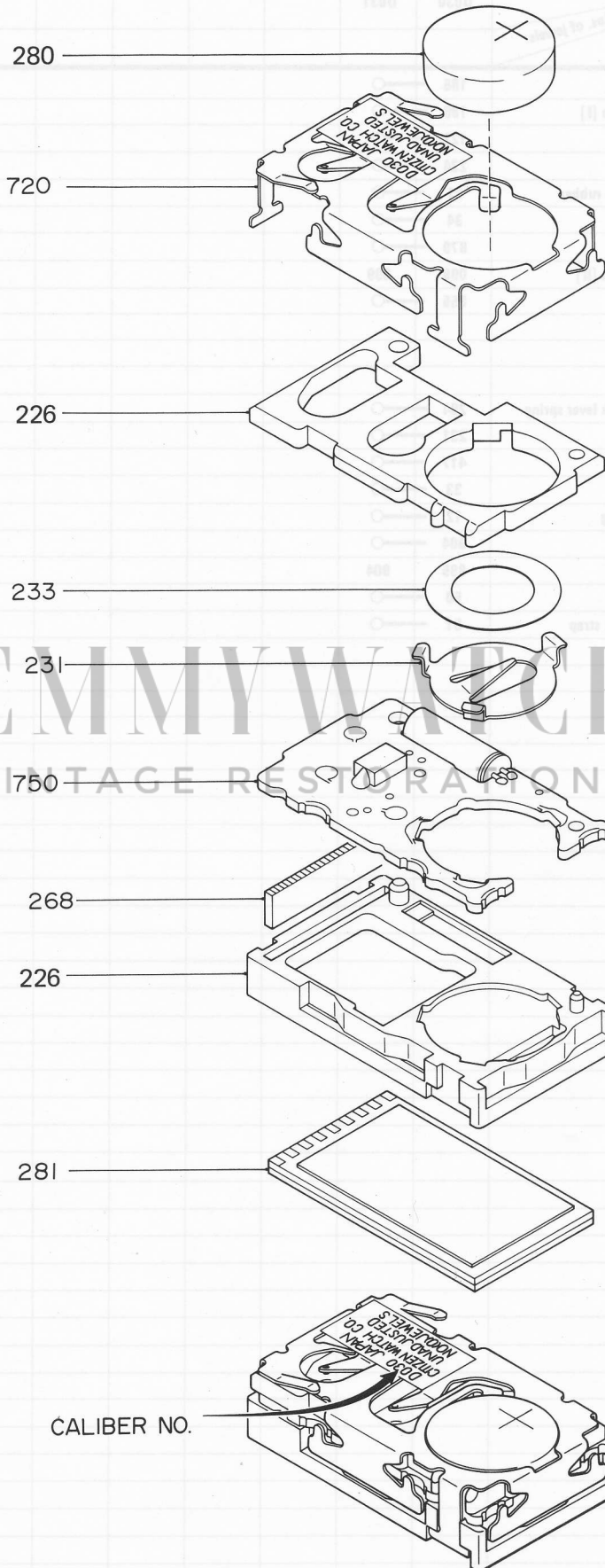
<Radio Section>



Size	10.0mm x 17.0mmφ
Oscillation per second	32,768Hz

Catalog No. D031-1

<Digital Section>



Parts No.	Name of parts	Caliber No.	D030	D031								
		Nos. of jewels										
226	LC display panel supporter		185	—○								
226	Supporter for plate complete [I]		186	—○								
231	Dower cell connector spring		122	—○								
233	Insulator sheet		224	—○								
268	LC display panel connection rubber		91	—○								
280	Power cell		34	—○								
281	LC display panel		879	—○								
720	Supporter for plate complete [II]		098	099								
750	Plate complete		855	—○								
107	Stud pin for rocking fly-back lever spring		294	—○								
226	Power cell box complete		231	—○								
234	Power cell box fix strap		417	—○								
258	Rocking switch spring		33	—○								
267	Rocking fly-back lever spring		12	—○								
280	Power cell		904	—○								
750	Radio plate complete		895	904								
938	Screw for power cell box lid		50	—○								
938	Screw for power cell box fix strap		51	—○								

