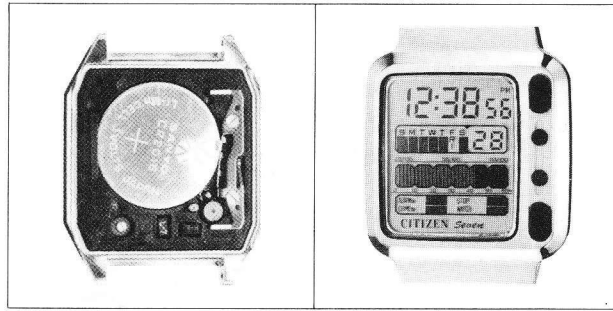




Citizen D020 Movement Parts (1)

Compiled by EmmyWatch - <https://www.emmywatch.com>

Catalog No. D020-1



D020-1
(Catalog No.)

D020-1
(Catalog No.)

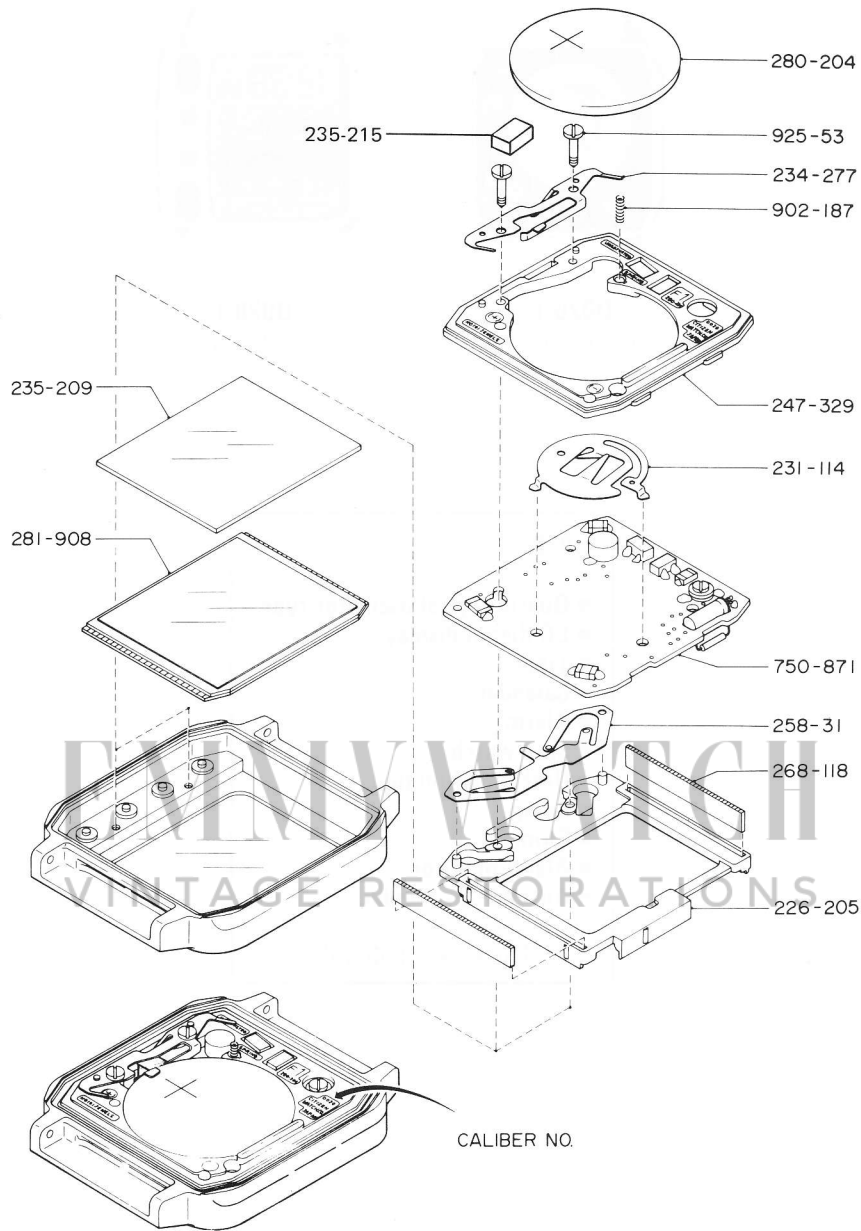
D020

- Quartz crystal oscillator type
- LC digital display
- Time
- Calendar
- Alarm
- Stop watch
- Rest time function
- Lamp
- Chime
- Alarm monitor
- Automatic calender

Thickness: 8.4mm[†]

EMERY WATCH
VINTAGE RESTORATIONS

Size	31 x 39 mm
Oscillation per second	32,768Hz



Parts No.	Caliber No.		D020																	
	Name of parts	Nos. of jewels																		
750	Plate complete	871																		
226	LC display panel supporter	205																		
231	Power cell connector spring	114																		
234	Power cell strap	277																		
235	Light diffusing plate	209																		
235	Spacer for power cell strap	215																		
247	Device cover	329																		
258	Switch spring	31																		
268	LC display panel connection rubber	118																		
280	Power cell	204																		
281	LC display panel	908																		
902	Buzzer contact spring	187																		
925	Screw for module	53																		