



**EMMYWATCH**  
VINTAGE RESTORATIONS

Citizen D020 Movement Parts (2)

*Compiled by EmmyWatch - <https://www.emmywatch.com>*

Catalog No. D020-1



**D020-1**  
(Catalog No.)

**D020-1**  
(Catalog No.)

**D020**

- Quartz crystal oscillator type
- LC digital display
- Time
- Calendar
- Alarm
- Stop watch
- Rest time function
- Lamp
- Chime
- Alarm monitor
- Automatic calendar

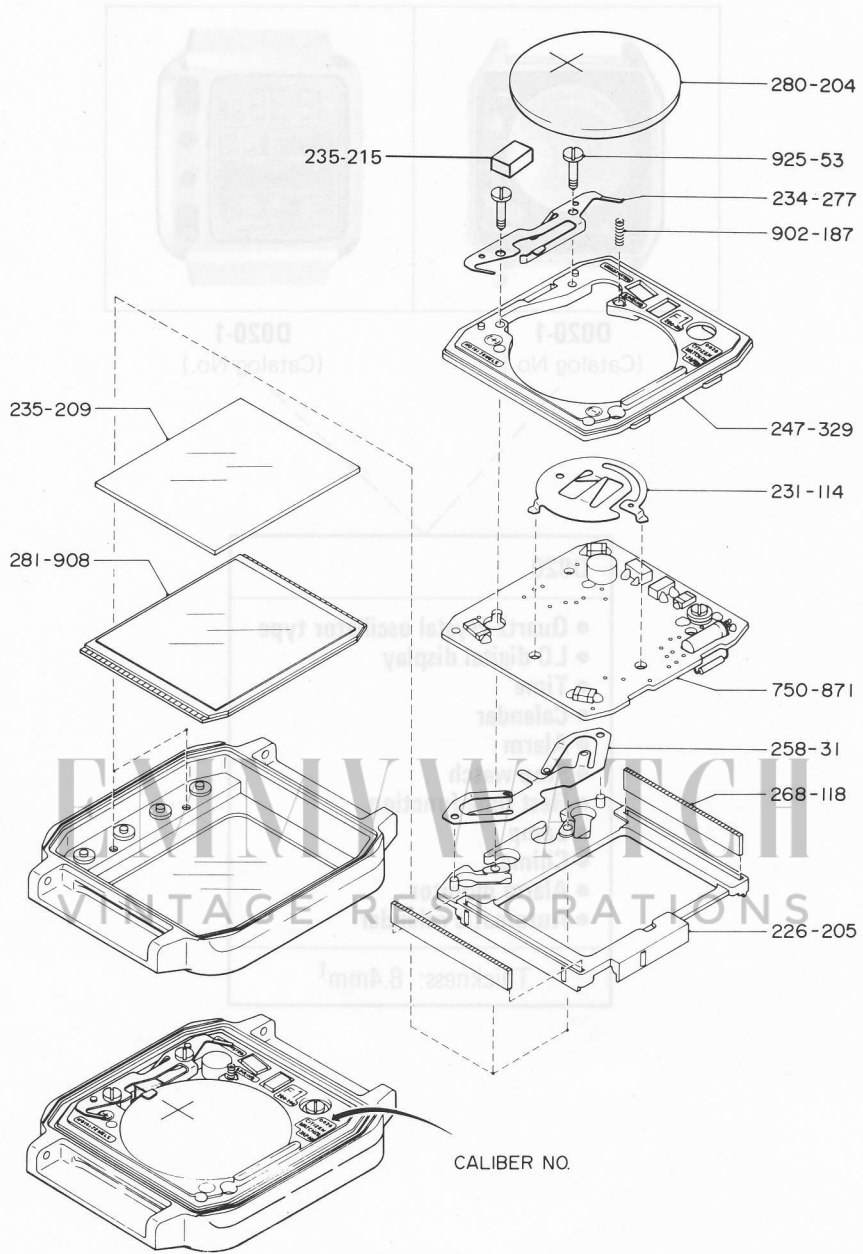
Thickness: 8.4mm<sup>†</sup>

EMERY WATCH  
VINTAGE RESTORATIONS

Part No.	Name of parts	Qty	Caliber No.
702	Face complete	011	D020
128	LC display panel separator	008	
131	Power coil connector spring	114	
136	Power coil strap	011	
138	Light diffusing plate	008	
139	Spacer for power coil strap	010	
141	Device cover	008	
142	Switch spring	01	
143	LC display panel connector spring	114	
144	Power coil	008	

Size	31 x 39 mm
Oscillation per second	32,768Hz



Parts No.	Caliber No.		D020										
	Name of parts	Nos. of jewels											
750	Plate complete	871											
226	LC display panel supporter	205											
231	Power cell connector spring	114											
234	Power cell strap	277											
235	Light diffusing plate	209											
235	Spacer for power cell strap	215											
247	Device cover	329											
258	Switch spring	31											
268	LC display panel connection rubber	118											
280	Power cell	204											
281	LC display panel	908											
902	Buzzer contact spring	187											
925	Screw for module	53											