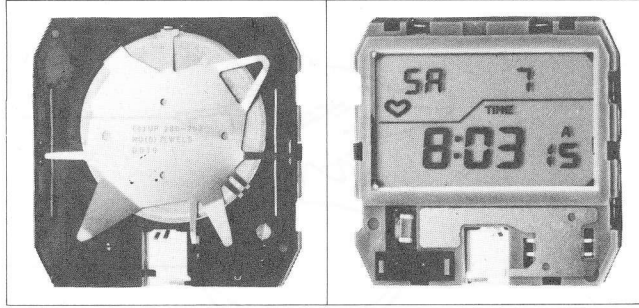




**Citizen D010 Movement Parts (2)**

*Compiled by EmmyWatch - <https://www.emmywatch.com>*

Catalog No. D010-1



**D010-1**  
(Catalog No.)

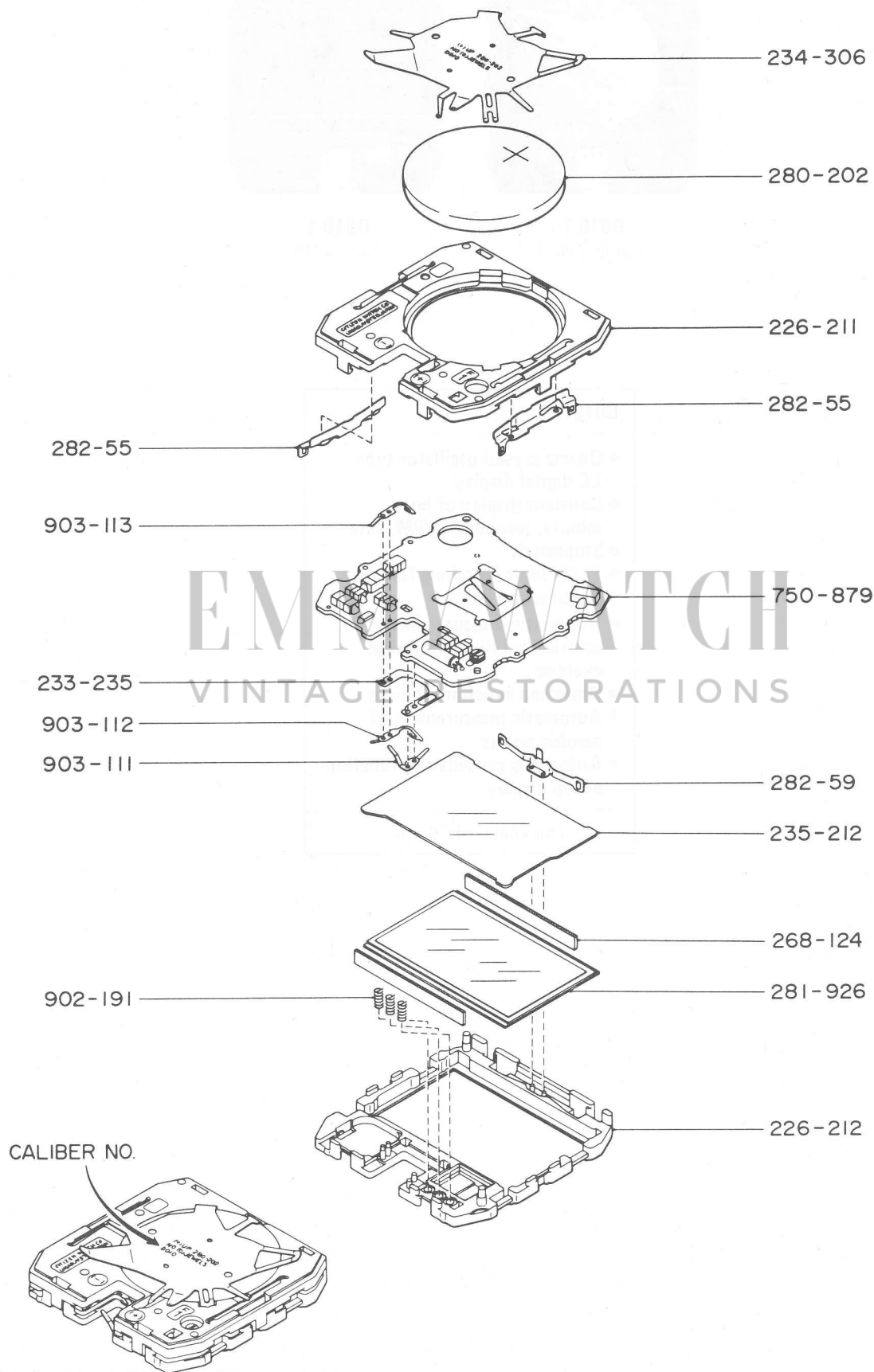
**D010-1**  
(Catalog No.)

**D010**

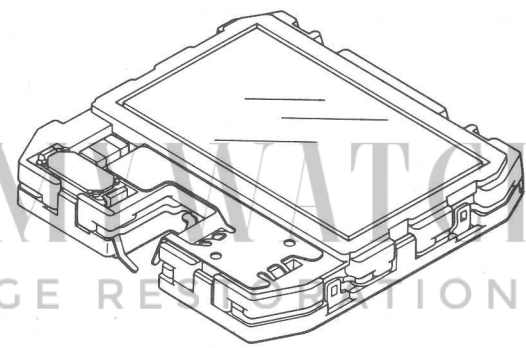
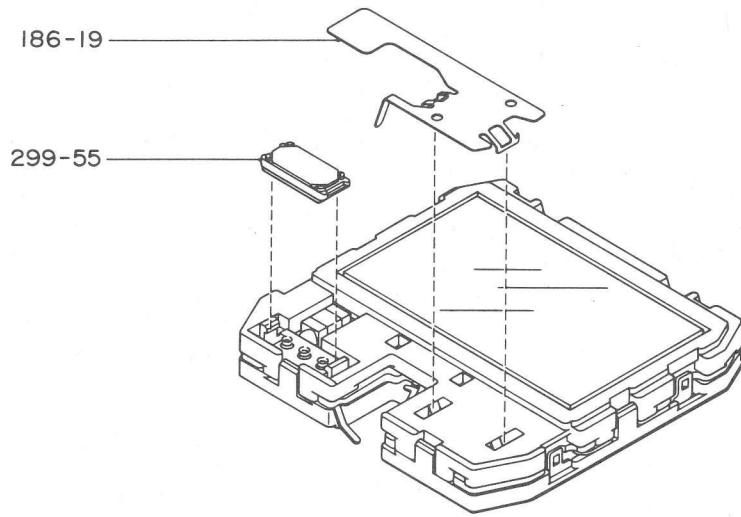
- Quartz crystal oscillator type LC digital display
- Constant display of hour, minute, second, AM/PM, date
- Stopwatch
- 12/24 hour switching function
- Illumination lamp
- Automatic measurement of calories lost during physical exercise
- Detection function of pulse
- Automatic measurement of aerobic points
- Automatic cancellation function of lap display

Thickness: 4.74mm

Size	28mm x 28mm
Oscillation per second	32,768Hz



Catalog No. D010-1



EMM SWATCH  
VINTAGE RESTORATIONS

Parts No.	Caliber No.		D010							
	Name of parts	Nos. of jewels								
750	Plate complete		879							
186	Shield plate		19							
226	Supporter for plate complete		211							
226	LC display panel supporter		212							
233	Insulator sheet		235							
234	Power cell strap		306							
235	Light diffusing plate		212							
268	LC display panel connection rubber		124							
280	Power cell		202							
281	LC display panel		926							
282	Switch actuating spring (I)		55							
282	Switch actuating spring (II)		59							
299	Pulse sensor		55							
902	Pulse sensor contact spring		191							
903	Pace sensor contact spring (I)		111							
903	Pace sensor contact spring (II)		112							
903	Pace sensor contact spring (III)		113							