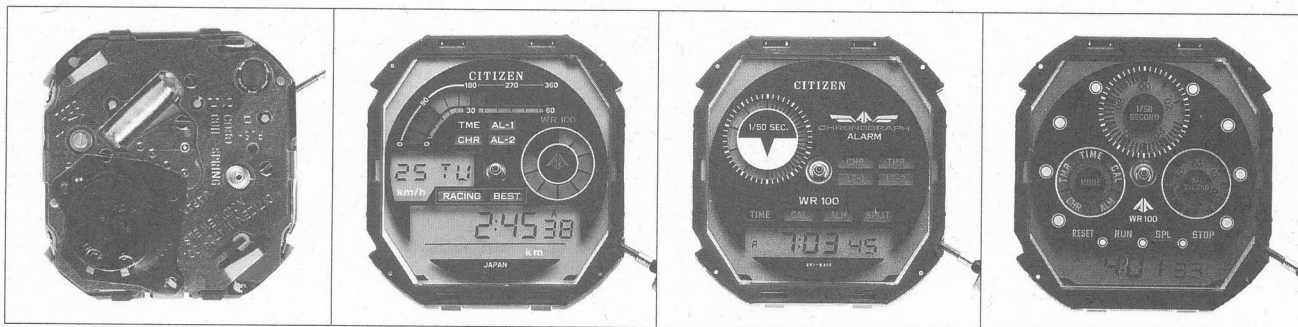




Citizen C110 Movement Parts (1)

Compiled by EmmyWatch - <https://www.emmywatch.com>

Catalog No. C050 ~ C110-1/-2



C050 ~ C110-1
(Catalog No.)

C050 ~ C110-2
(Catalog No.)

C050 ~ C110-2
(Catalog No.)

C050 ~ C110-2
(Catalog No.)

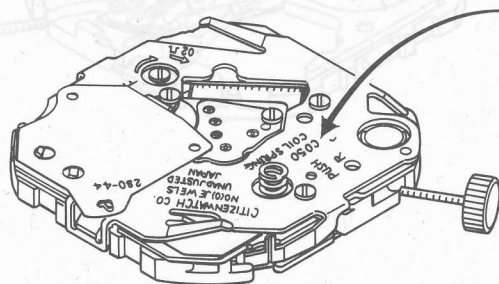
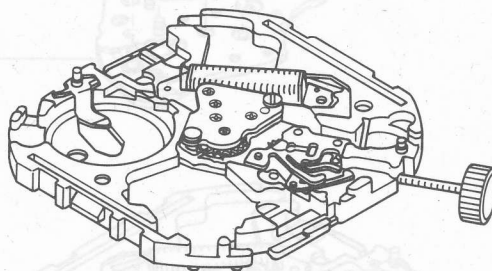
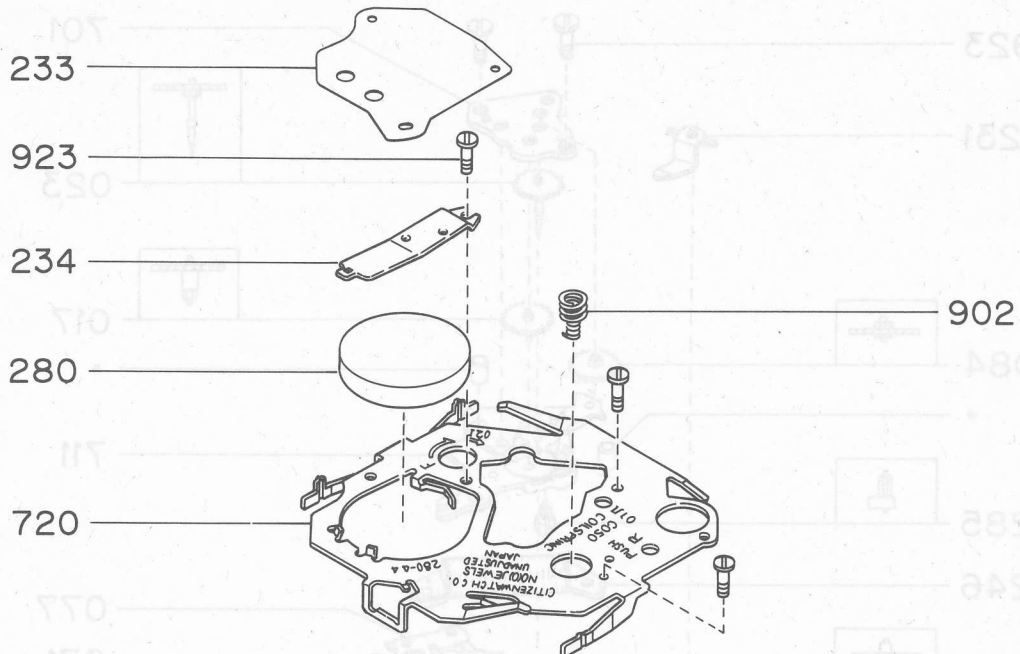
C090 • C091
<ul style="list-style-type: none"> ● Combination quartz watch [ANALOG] ● Hour/Minute/Second [DIGITAL] ● Time/Calendar ● Alarm I ● Alarm II ● Chronograph ● Racing chronograph km indication (C090) Mile indication (C091)
Thickness: 4.9mm

C100
<ul style="list-style-type: none"> ● Combination quartz watch [ANALOG] ● Hour/Minute/Second [DIGITAL] ● Time/Calendar ● Alarm ● Chronograph ● Timer ● Local time [I] ● Local time [II]
Thickness: 4.9mm

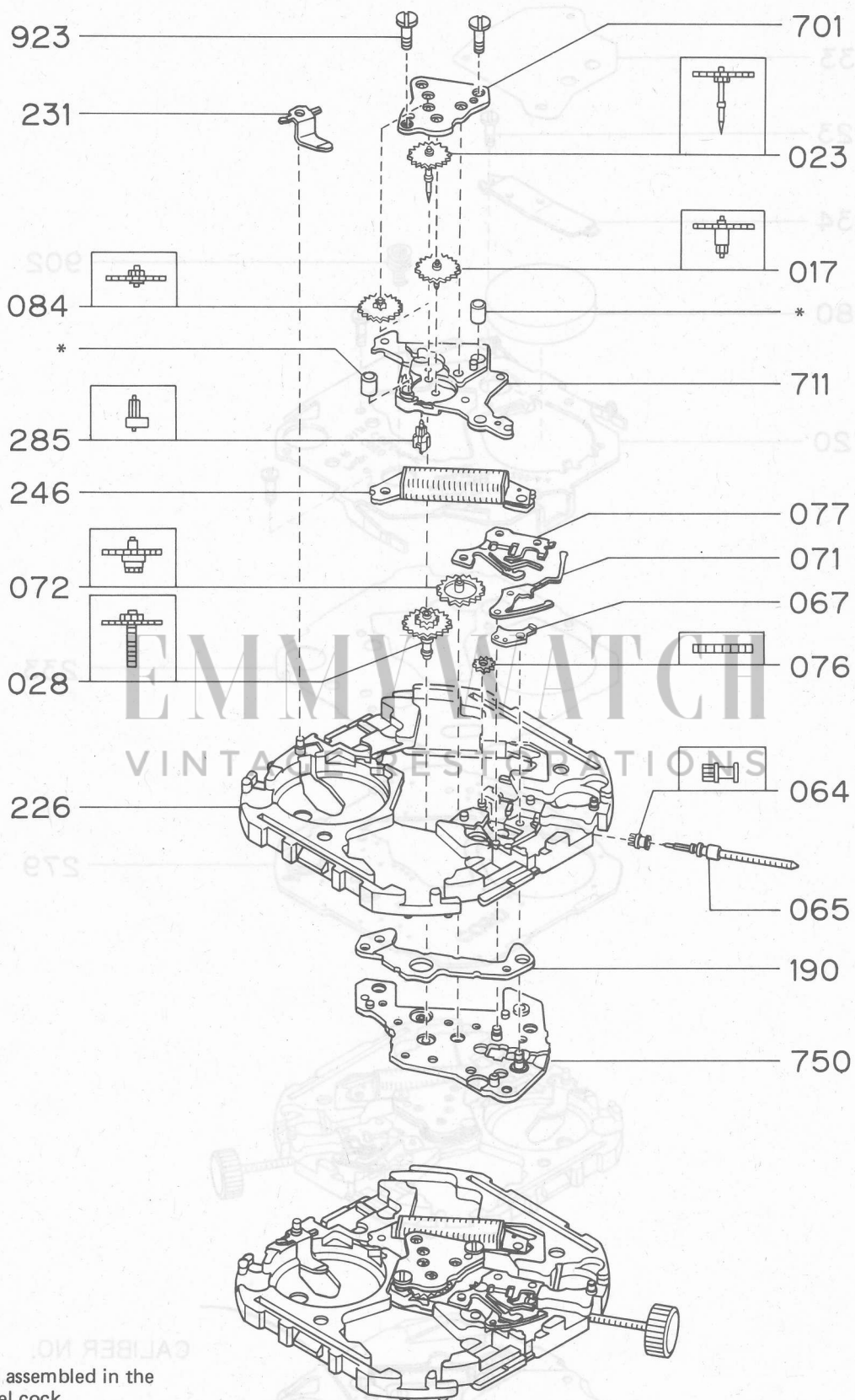
C110
<ul style="list-style-type: none"> ● Combination quartz watch [ANALOG] ● Hour/Minute/Second [DIGITAL] ● Time/Calendar ● Alarm ● Chronograph ● Timer
Thickness: 4.9mm

Size (mm)	26.0 x 27.4
Oscillation per second	32,768Hz

Catalog No. C050 ~ C110-1



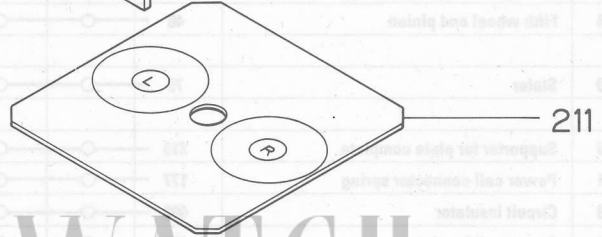
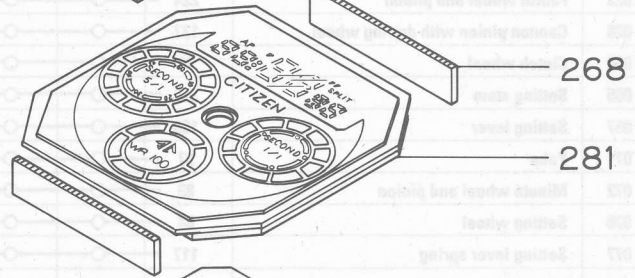
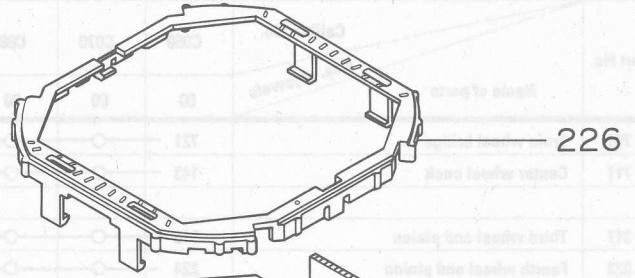
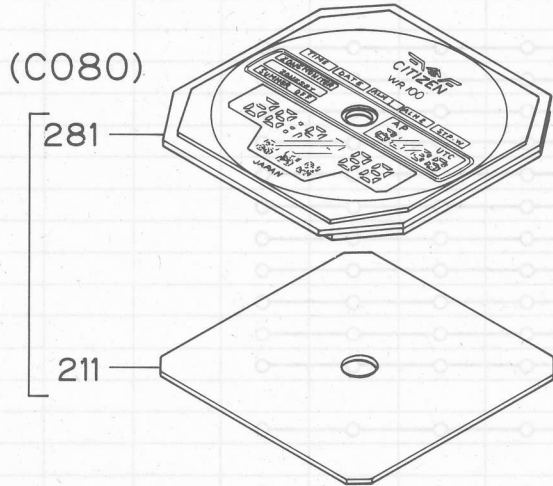
CALIBER NO.



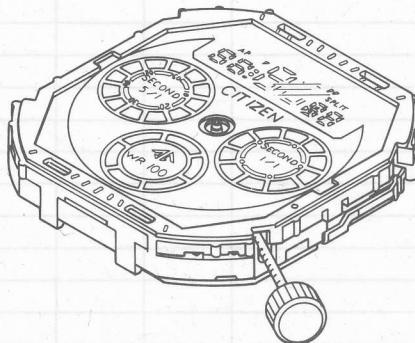
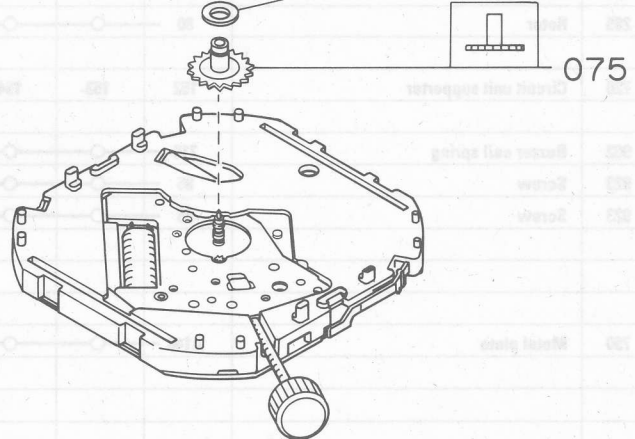
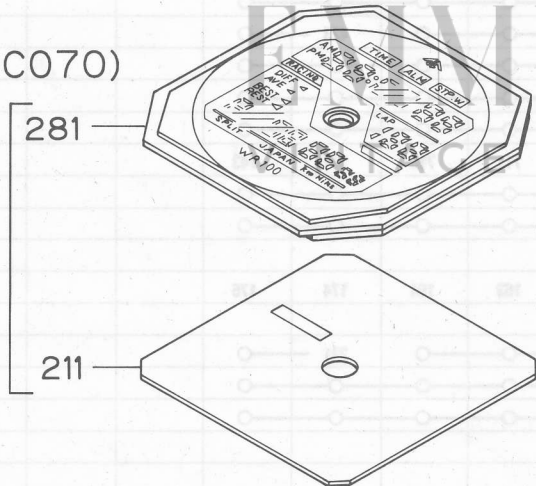
Catalog No. C050 ~ C110-1

Part No.	Name of parts	Caliber No.							
		C050	C070	C080	C090	C091	C100	C110	
	Nos. of jewels	00	00	00	00	00	00	00	
701	Train wheel bridge	721	○	○	○	○	○	○	
711	Center wheel cock	143	○	○	○	○	○	○	
017	Third wheel and pinion	119	○	○	○	○	○	○	
023	Fourth wheel and pinion	224	○	○	○	○	○	○	
028	Cannon pinion with driving wheel	137	○	○	○	○	○	○	
064	Clutch wheel	79	○	○	○	○	○	○	
065	Setting stem	379	○	○	○	○	○	○	
067	Setting lever	168	○	○	○	○	○	○	
071	Yoke	97	○	○	○	○	○	○	
072	Minute wheel and pinion	89	○	○	○	○	○	○	
076	Setting wheel	64	○	○	○	○	○	○	
077	Setting lever spring	117	○	○	○	○	○	○	
084	Fifth wheel and pinion	46	○	○	○	○	○	○	
190	Stator	79	○	○	○	○	○	○	
226	Supporter for plate complete	319	○	○	○	○	○	○	
231	Power cell connector spring	177	○	○	○	○	○	○	
233	Circuit insulator	403	○	○	○	○	○	○	
233	Power cell insulator	404	○	○	○	○	423	○	
234	Power cell strap	639	○	○	○	○	○	○	
246	Coil unit	121	○	○	○	○	○	○	
268	LC display panel connection rubber	162	○	○	○	○	○	○	
279	Unit of electronic circuit	641	648	651	711	713	741	743	
280	Power cell	44	○	○	○	○	○	○	
285	Rotor	80	○	○	○	○	○	○	
720	Circuit unit supporter	152	153	154	163	164	174	175	
902	Buzzer coil spring	216	○	○	○	○	221	○	
923	Screw	85	○	○	○	○	○	○	
923	Screw	85	○	○	○	○	○	○	
750	Metal plate	A140	○	○	○	○	○	○	

(C080)



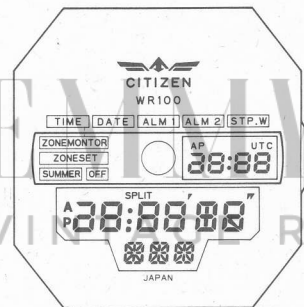
(C070)



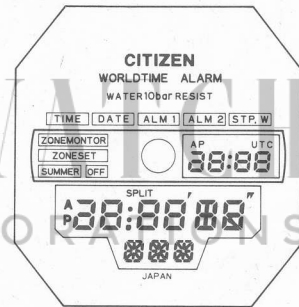
Catalog No. C050~C110-2

Part No.	Name of parts	Caliber No.							
		C050	C070	C080	C090	C091	C100	C110	
		00	00	00	00	00	00	00	
075	Hour wheel	322	○	○	○	○	○	○	
078	Dial washer	04	○	○	○	○	○	○	
176	Hour wheel guard	94	○	○	○	○	○	○	
211	Refracting plate	363*1	365*1	367*1	369*1	○	367*1	○	
		364*2	366*2	368*2	371*2	○	368*2	○	
226	LC display panel supporter	321	○	○	○	○	○	○	
281	LC display panel	A84*3	A91*5	A94*3	B18*3	B20*3	B31	B33	
		A86*4		B15*3			B39		
				B16*4					
929	Screw	48	○	○	○	○	○	○	

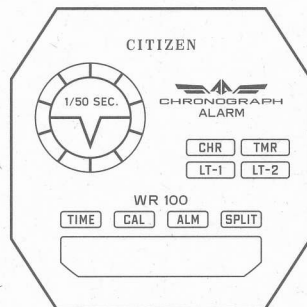
*1: Silver
*2: Gold
*3: Black
*4: White
*5: Gray



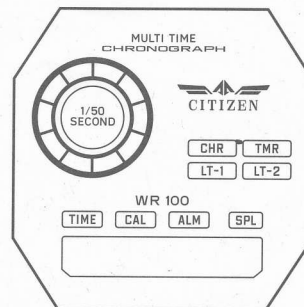
Cal. C08
LC display panel
281-A94



Cal. C08
LC display panel
281-B15
281-B16



Cal. C100
LC display panel
281-B31



Cal C100
LC display panel
281-B39