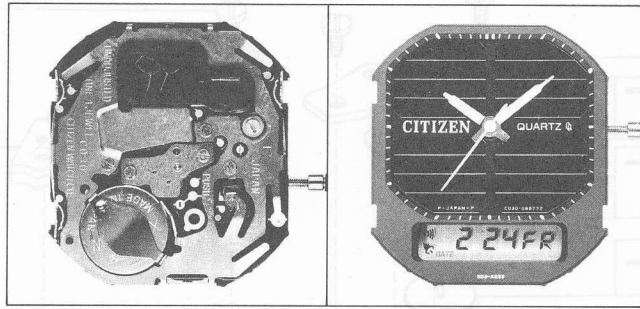




Citizen C030 Movement Parts (1)

Compiled by EmmyWatch - <https://www.emmywatch.com>

Catalog No. C03-1



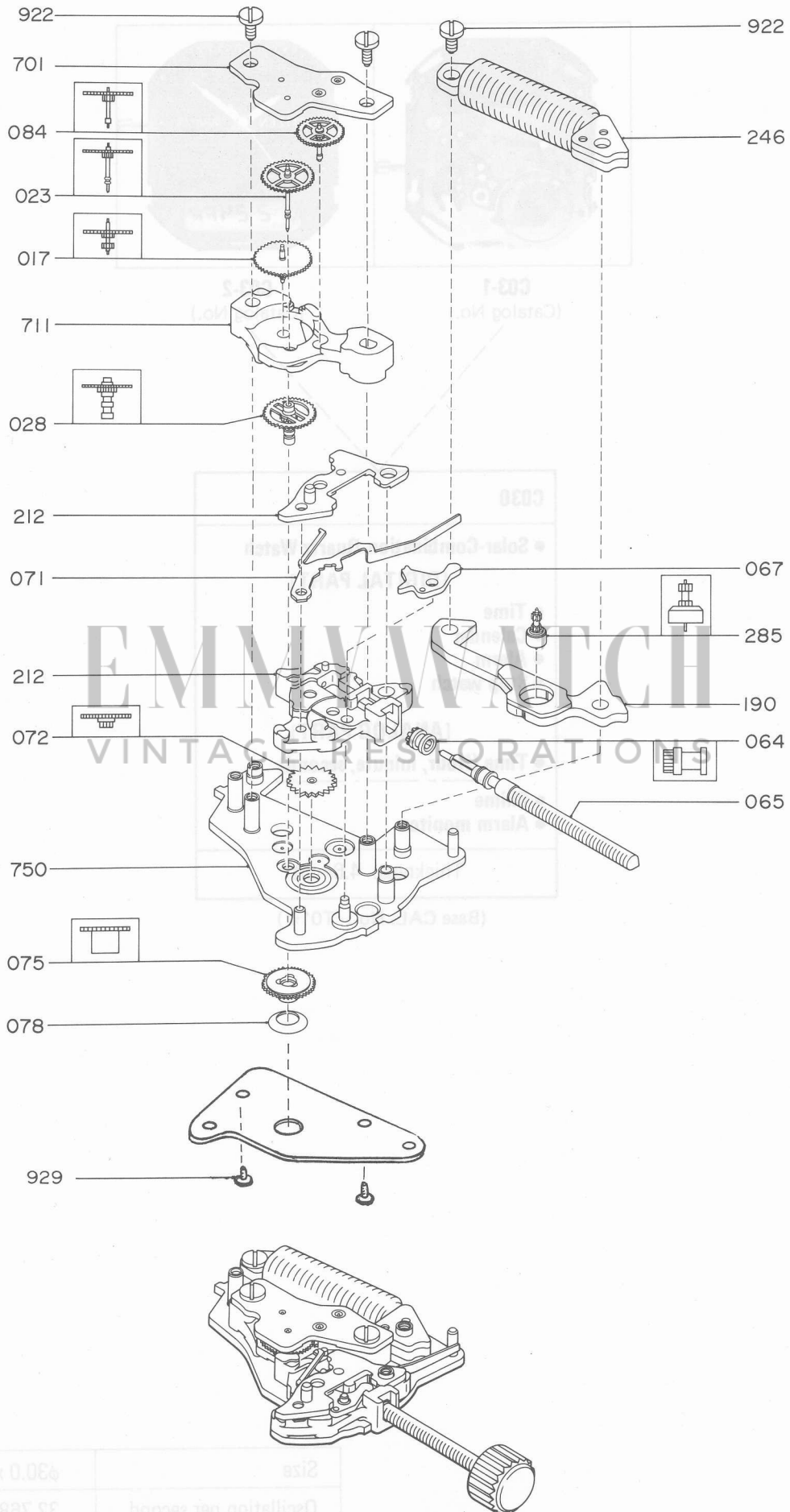
C03-1
(Catalog No.)

C03-2
(Catalog No.)

C030
<ul style="list-style-type: none"> • Solar-Combination Quartz Watch <p>[DIGITAL PART]</p> <ul style="list-style-type: none"> • Time • Calendar • Alarm • Stop watch <p>[ANALOG PART]</p> <ul style="list-style-type: none"> • Time (Hour, minute, second) • Chime • Alarm monitor
Thickness: 4.6mmt

(Base CAL. No.: T01※)

Size	φ30.0 x 25.0 x 27.7mm
Oscillation per second	32,768Hz



Size	430.0 x 28.0 x 27.7mm
Oscillation per second	32.788Hz

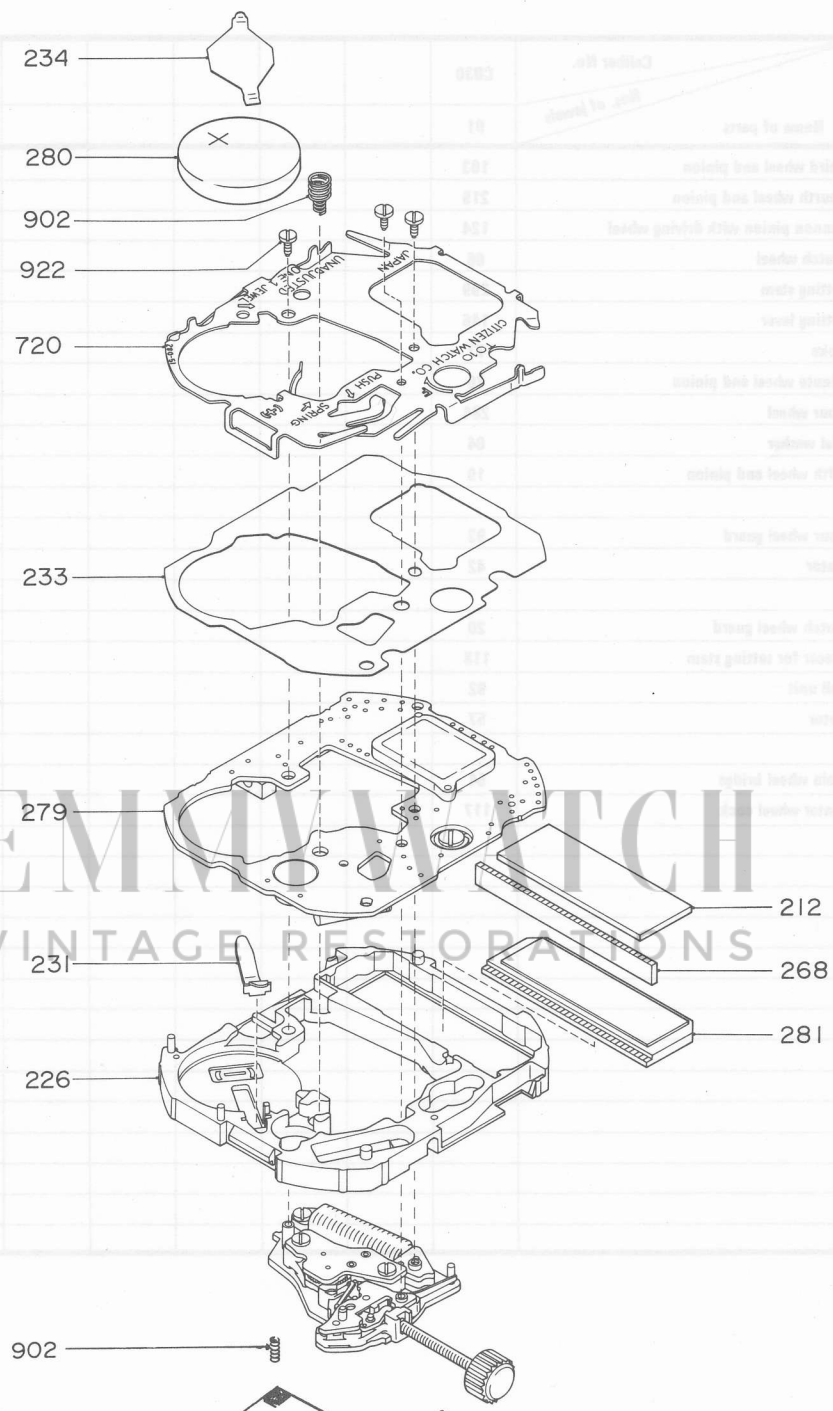
Catalog No. C03-1

Parts No.	Name of parts	Caliber No.	C030																	
		Nos. of jewels																		
			01																	
017	Third wheel and pinion		103																	
023	Fourth wheel and pinion		215																	
028	Cannon pinion with driving wheel		124																	
064	Clutch wheel		66																	
065	Setting stem		299																	
067	Setting lever		146																	
071	Yoke		77																	
072	Minute wheel and pinion		76																	
075	Hour wheel		284																	
078	Dial washer		04																	
084	Fifth wheel and pinion		19																	
176	Hour wheel guard		93																	
190	Stator		42																	
212	Clutch wheel guard		20																	
212	Spacer for setting stem		118																	
246	Coil unit		92																	
285	Rotor		57																	
701	Train wheel bridge		54																	
711	Center wheel cock		117																	

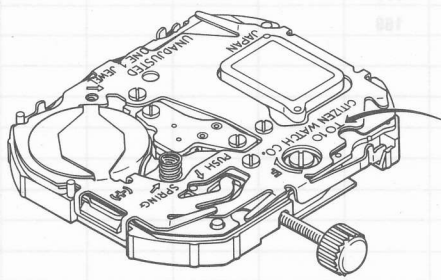
EMMYWATCH
VINTAGE RESTORATIONS

Jewels

Parts No.	Name of parts	Caliber No.	C030																		
		Nos. of jewels																			
			01																		
942	Rotor /U		81																		
950	Rotor /L		171																		
950	Fifth W/U		169																		



*Solar cell
(Appearance part)



CALIBER NO.
NO. DE CALIBRE

Catalog No. C03-2

Parts No.	Name of parts	Caliber No.												
		Nos. of jewels	C030	01										
212	Spacer for LC display panel	121												
226	LC display panel supporter	308												
231	Power cell connector spring	154												
233	Insulator sheet	378												
234	Power cell strap	383												
268	LC display panel connection rubber	154												
279	Unit of electronic circuit	597												
280	Power cell (secondary)	403												
281	LC display panel	A49												
281	LC display panel	A51(Gold)												
720	Circuit unit supporter	133												
902	Contact spring for solar cell	212												
902	Buzzer contact spring	213												
EMMYWATCH VINTAGE RESTORATIONS														
922	Screw for train wheel bridge	154												
922	Screw for module	154												
929	Screw for hour wheel guard	49												