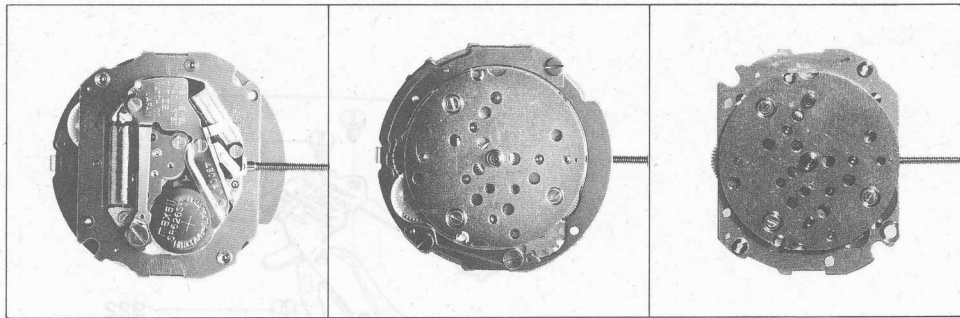




**Citizen 4310 Movement Parts (1)**

*Compiled by EmmyWatch - <https://www.emmywatch.com>*

Catalog No. 43-1~43-2



43-1  
(Catalog No.)

43-2  
(Catalog No.)

43-2  
(Catalog No.)

**4300**

- Analog quartz watch with a center second
- Day/date (small hands) indication
- Quick date setting
- Second hand stopping device
- Power saving switch

**4360**

- Analog quartz watch with a center second
- 24 hour system display
- Moon age display (Quick setting)
- Local sidereal time (Quick setting)
- Second hand stopping device
- Power saving switch

**4310**

- Analog quartz watch with a center second
- Day/date (small hands) indication
- 24 hour system display
- Moon age display (Quick setting)
- Quick date setting
- Second hand stopping device
- Power saving switch

Thickness: 4.0mm

Size (mm):  $\phi 23.7 \times 22.6 \times 18.0$

**4320**

- Analog quartz watch with a center second
- Day/date (small hands) indication
- Quick date setting
- Second hand stopping device
- Power saving switch

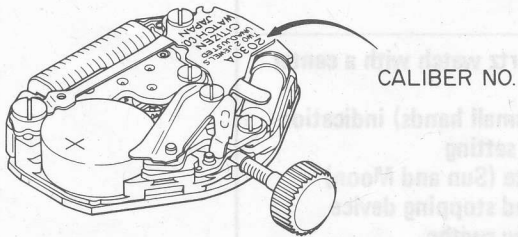
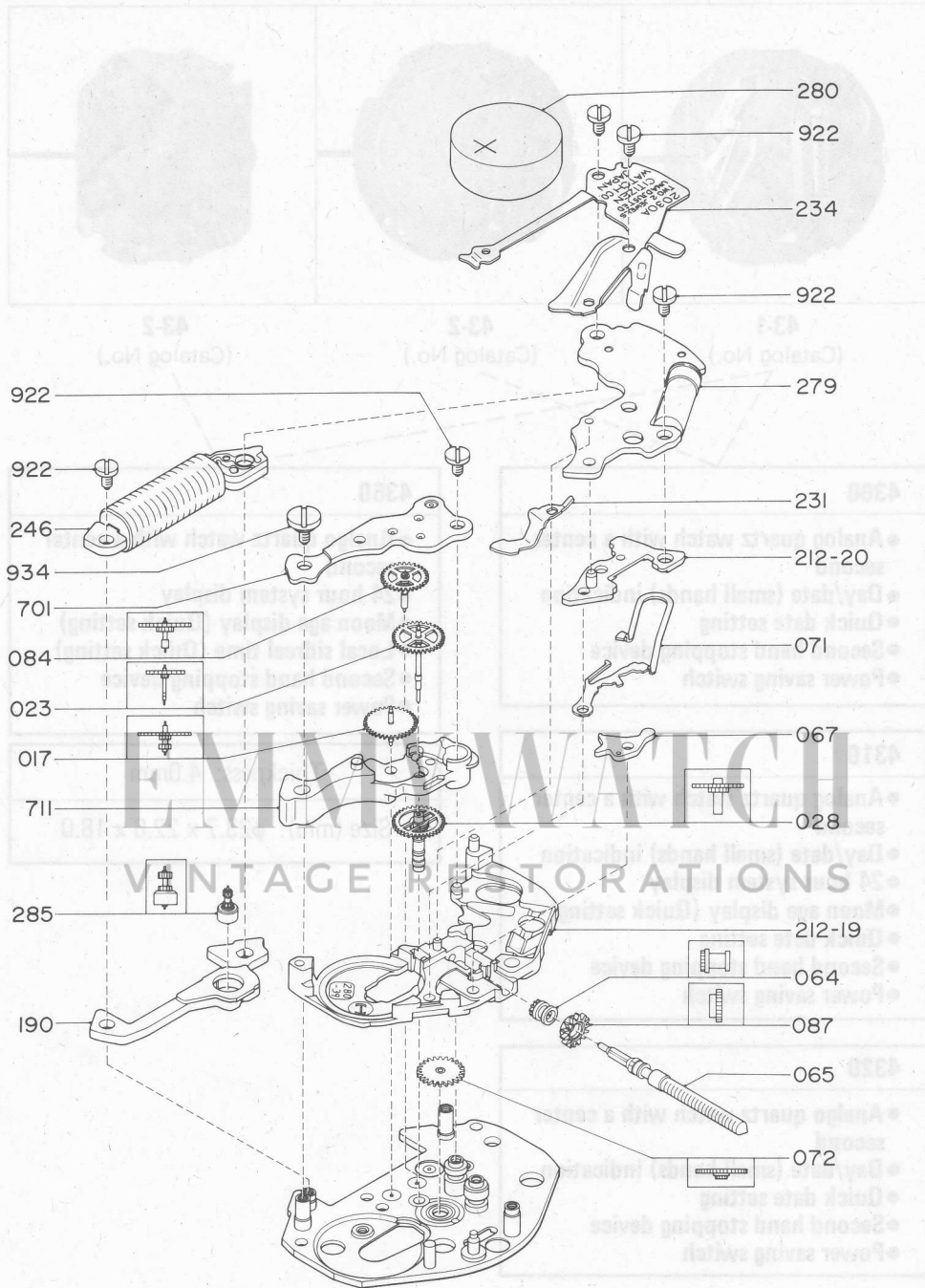
**4330**

- Analog quartz watch with a center second
- Day/date (small hands) indication
- Quick date setting
- Picture plate (Sun and Moon)
- Second hand stopping device
- Power saving switch


Thickness: 3.7mm


Size (mm):  $\phi 23.7 \times 22.6 \times 18.0$

Oscillation per second	32,768Hz
------------------------	----------



**CAL. 436\*\***

924-62 

082-28 

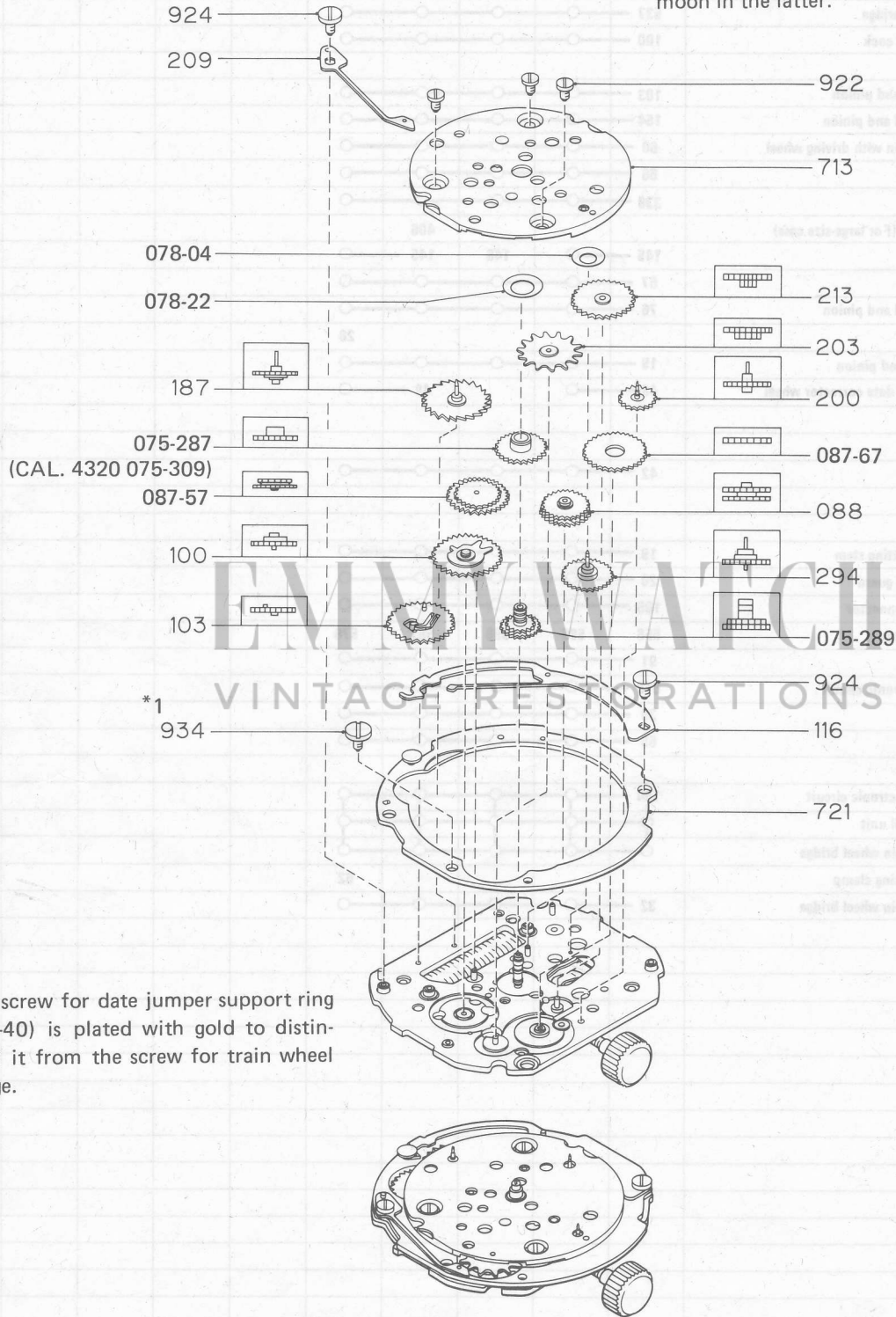




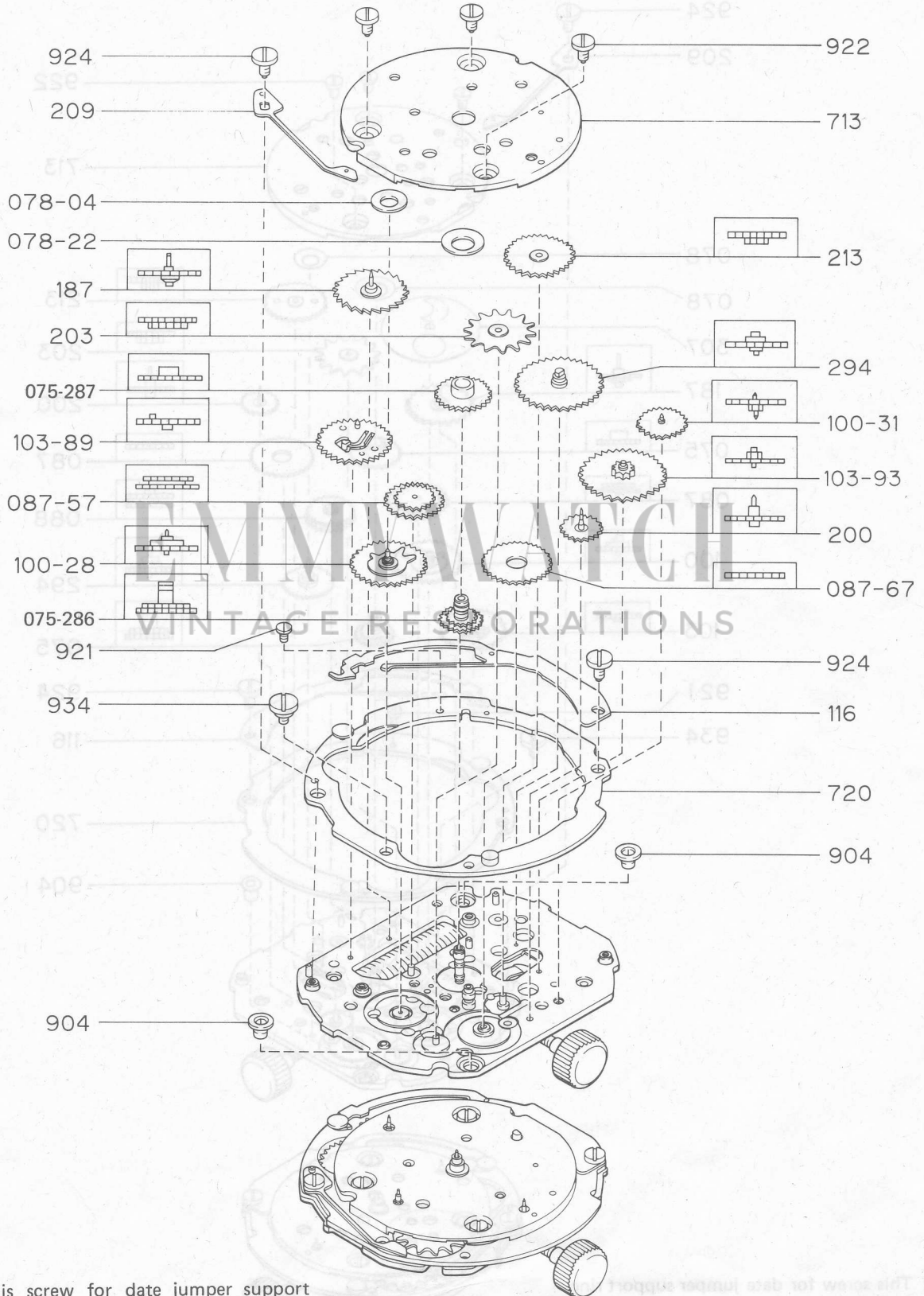


CAL. 4300\* (CAL. 4320\*)

CAL. 4320 is almost the same as CAL. 4300, except the parts of the age of the moon in the latter.



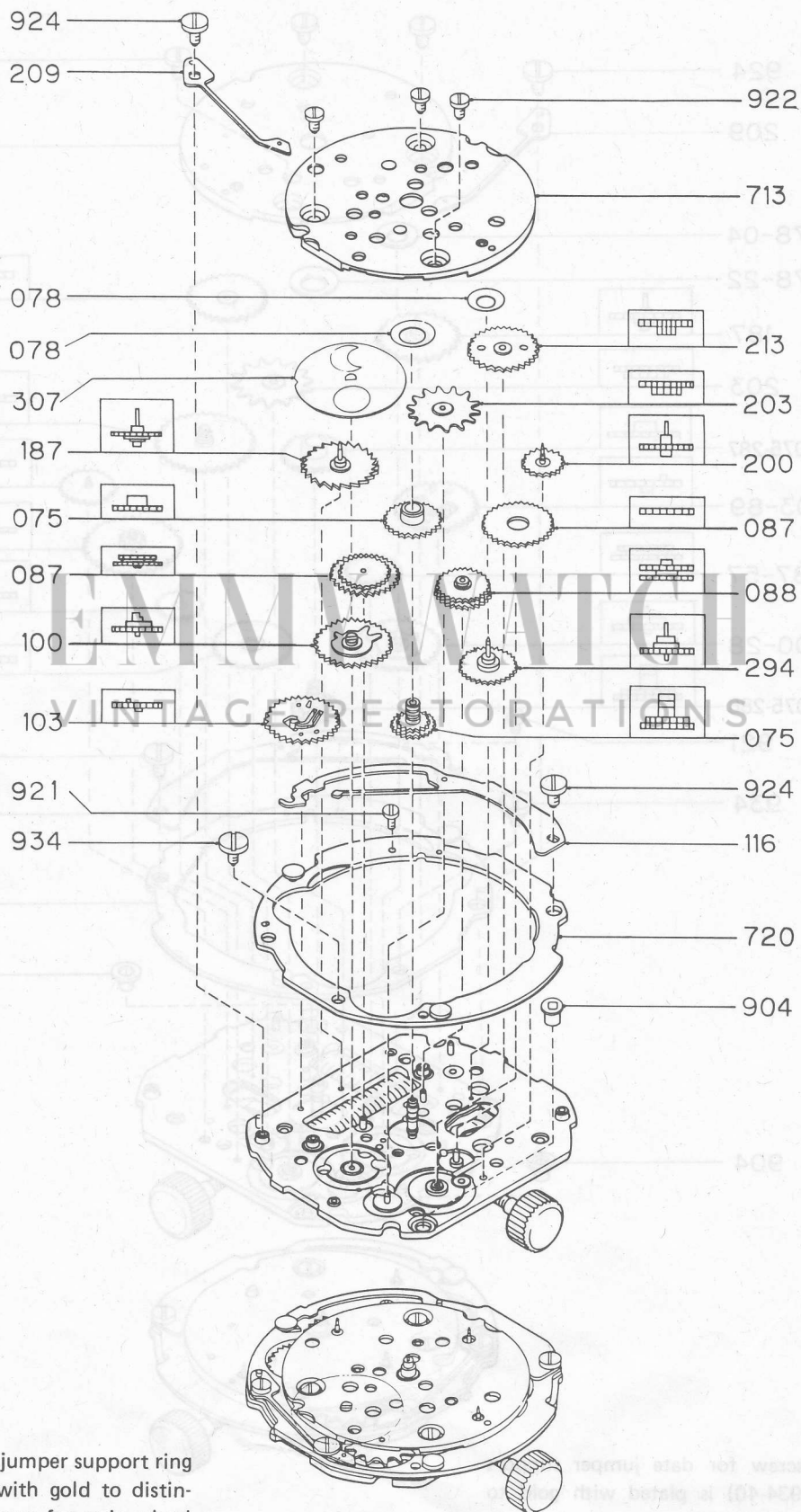
CAL. 4310\*



\*1: This screw for date jumper support ring (934-40) is plated with gold to distinguish it from the screw for train wheel bridge.

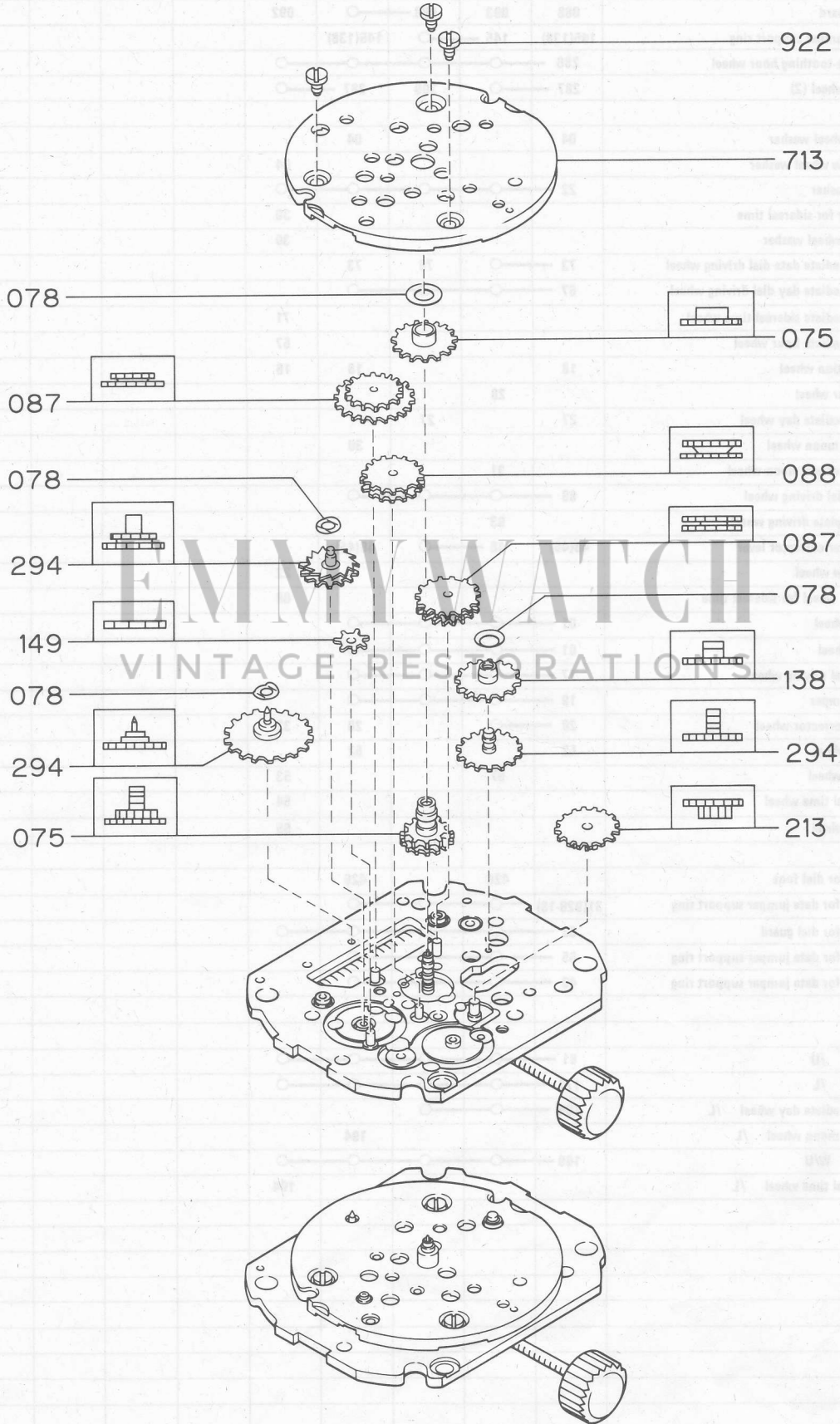


CAL. 4330\*



\*1: This screw for date jumper support ring (934-40) is plated with gold to distinguish it from the screw for train wheel bridge.

CAL. 4360\*





Parts No.	Name of parts	Caliber No.									
		4300A	4310A	4320A	4330A	4360A					
		01	01	01	01	01					
713	Dial guard	088	093	088	○	092					
720	Date jumper support ring	145(138)	145	○	145(138)						
075	Double-toothing hour wheel	286	○	○	○	○					
075	Hour wheel (2)	287	○	309	287	○					
078	Dual wheel washer	04			04						
078	Shadow wheel washer					04					
078	Dial washer	22	○	○	○	○					
078	Washer for sidereal time					30					
078	Moon wheel washer					30					
087	Intermediate date dial driving wheel	73	○	78	73						
087	Intermediate day dial driving wheel	67	○	○	○						
087	Intermediate sidereal time wheel					71					
087	Intermediate hour wheel					57					
088	Reduction wheel	18			18	16					
100	24 hour wheel		28								
100	Intermediate day wheel	27		27							
100	Sun & moon wheel				30						
100	Intermediate moon wheel		31								
103	Date dial driving wheel	89	○	○	○						
103	Moon plate driving wheel		93								
116	Calendar corrector lever	48(45)	48	○	48(45)						
138	Shadow wheel					22					
149	Clutch wheel for sidereal time					08					
187	Date wheel	01	○	○	○						
200	Day wheel	01	○	○	○						
203	Day dial driving wheel	17	○	○	○						
209	Day jumper	19	○	○	○						
213	Date corrector wheel	28	○		28	32					
294	Dual wheel	52			52						
294	Moon wheel		57			53					
294	Sidereal time wheel					54					
294	Hour wheel					55					
904	Tube for dial foot		426		426						
921	Screw for date jumper support ring	31(928-18)	○	○	○						
922	Screw for dial guard	62	○	○	○	○					
924	Screw for date jumper support ring	65	○	○	○						
934	Screw for date jumper support ring	40	○	○	○						
942	Rotor /U	81	○	○	○	○					
950	Rotor /L	171	○	○	○	○					
950	Intermediate day wheel /L	194	○	○							
950	Sun & moon wheel /L				194						
950	Fifth W/U	169	○	○	○	○					
950	Sidereal time wheel /L					194					