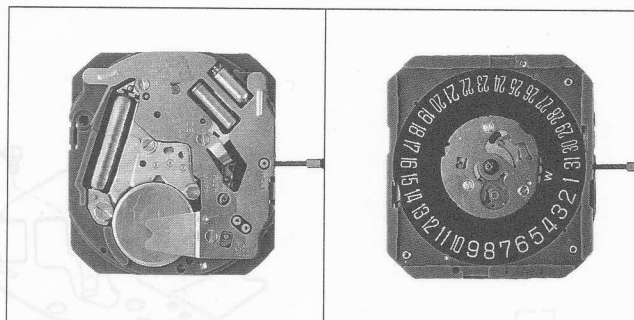




Citizen 4111 Movement Parts (1)

Compiled by EmmyWatch - <https://www.emmywatch.com>

Catalog No. 41-1~41-2



41-1
(Catalog No.)

41-2
(Catalog No.)

4110A • 4111A

- Quartz crystal oscillator type
(Analog solar cell watch)
- With a center second hand
- Date (with a quick-setting device)
- Second hand stopping device
- Quick start
- Charge warning
- Time setting notification
- (Overcharge prevention)

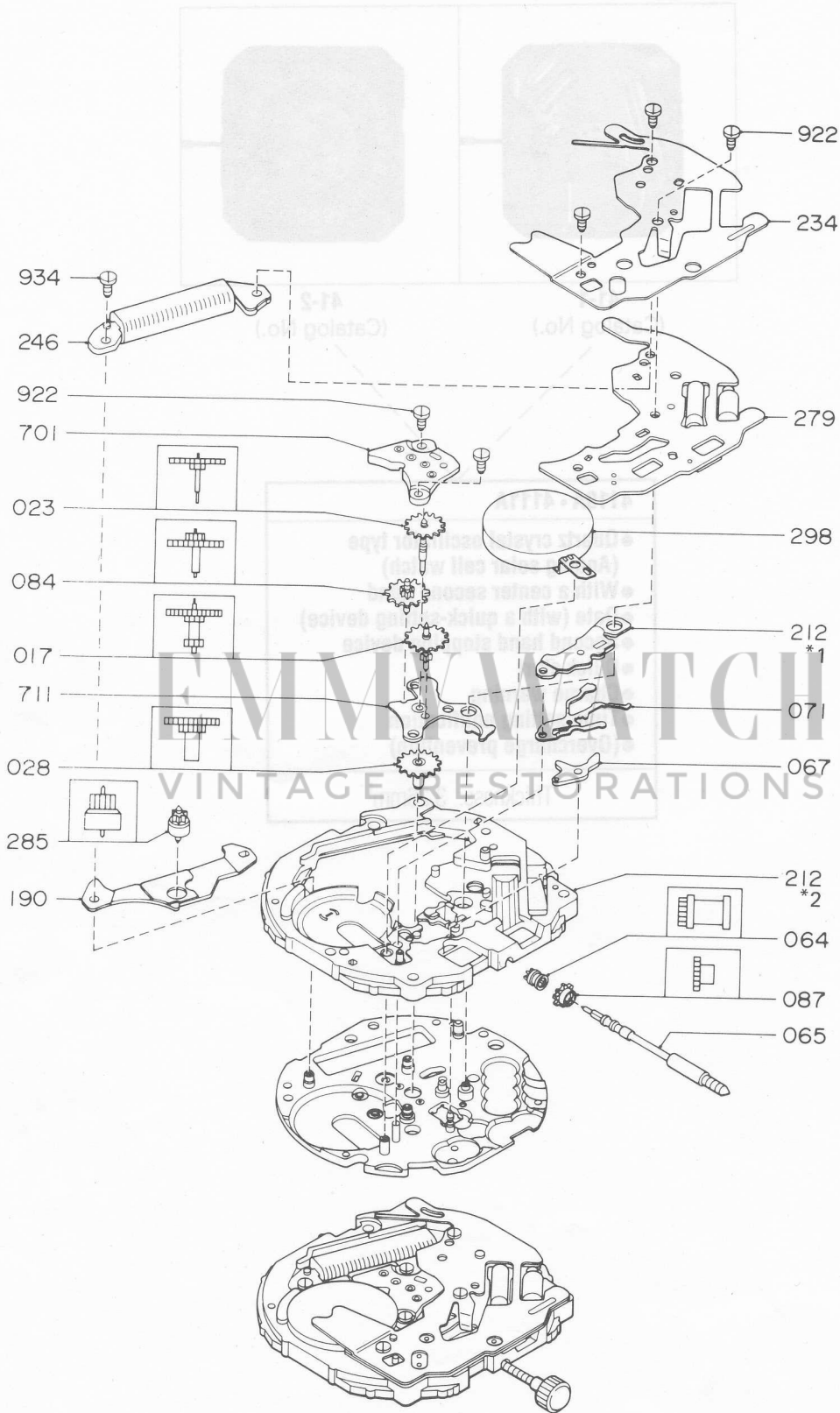
Thickness: 3.26mm¹

Size (mm)

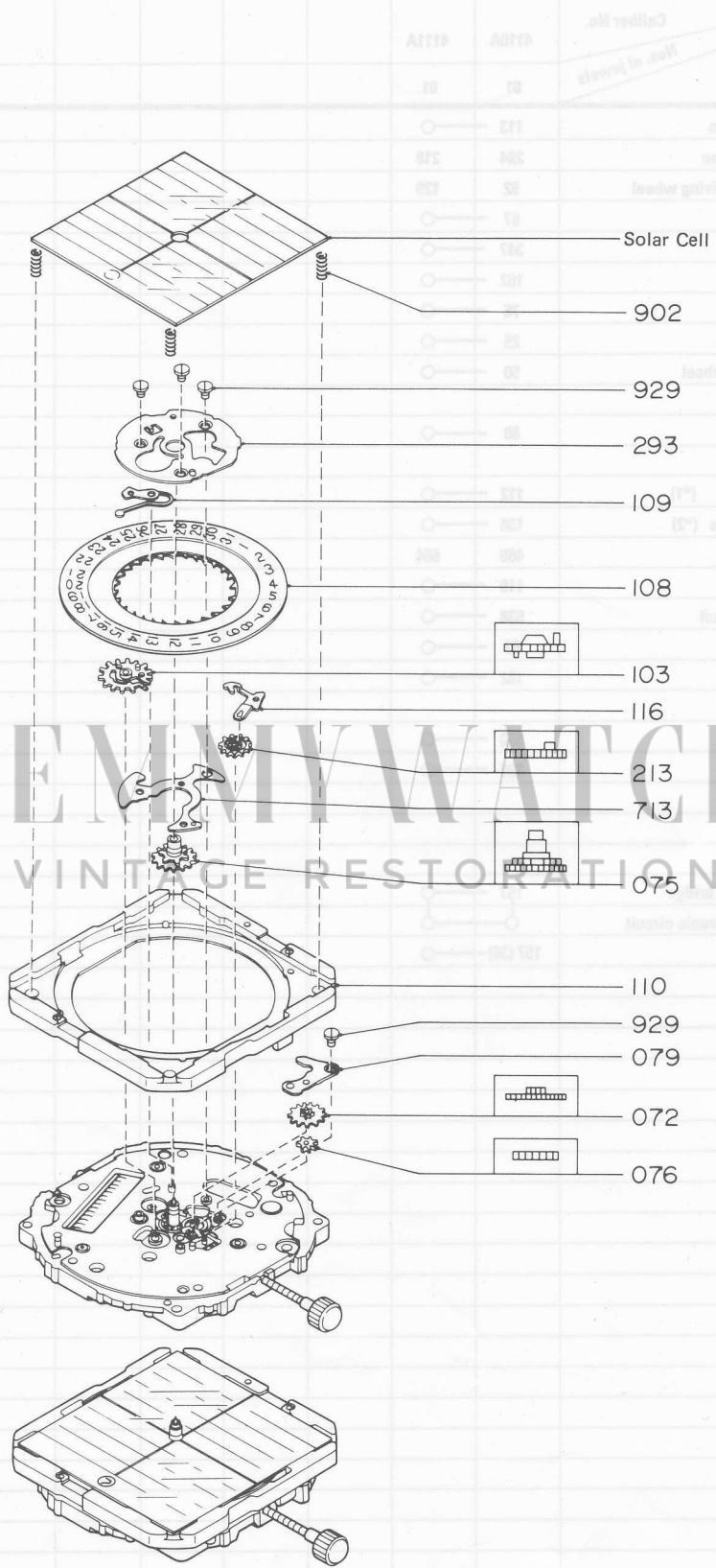
ø26.4 x 23.5 x 25.0

Oscillation per second

32,768Hz



0.25 x 2.65 x 4.85	Size (mm)
32,768 Hz	Oscillation per second



Part No.	Name of part	Catalog No.	Qty.
017	Third wheel and pinion	173	1
023	Fourth wheel and pinion	204	1
028	Common pinion with driving wheel	92	1
044	Third wheel	92	1
055	Winding stem	101	1
067	Setting lever	102	1
071	Yoke	94	1
084	Fifth wheel and pinion	85	1
087	Intermediate minute wheel	90	1
100	Plate	90	1
112	Third wheel gear (*)	173	1
116	Center for setting stem (*)	102	1
104	Component ring	085	1
106	Coil end	101	1
107	Unit of electronic circuit	103	1
108	Plate	108	1
109	Component ring	109	1
110	Case back	110	1
116	Yoke wheel pin	116	1
213	Center wheel and pinion	213	1
713	Center wheel and pinion	713	1
075	Center for setting stem (*)	075	1
072	Center for coil end	072	1
076	Center for coil end	076	1

Catalog No. 41-2

Part No.	Name of parts	Caliber No.																		
		Nos. of jewels																		
		4110A	4111A																	
		01	01																	
072	Minute wheel and pinion	83	—○																	
075	Hour wheel	241	293																	
076	Setting wheel	61	—○																	
079	Minute wheel guard	83	—○																	
103	Date dial driving wheel	80	—○																	
109	Date jumper	47	—○																	
110	Dial guard plate	21	30																	
116	Calender corrector lever	40	—○																	
213	Date corrector wheel	26	—○																	
293	Date dial guard/U	76	—○																	
713	Date dial guard/L	079	—○																	
902	Contact spring for solar cell	205	—○																	
929	Screw for date dial guard	42	—○																	
929	Screw for minute wheel guard	—	—○																	

EMMY WATCH
VINTAGE RESTORATIONS

Part No.	Name of parts	Caliber No.																		
		Nos. of jewels																		
		4110A	4111A																	
		01	01																	
942	Rotor /U	81	—○																	
950	Rotor /L	171	—○																	
950	3rd W/U	185	—○																	
950	3rd W/U	172	—○																	
950	4th W/L	186	—○																	
950	5th W/U	185	—○																	
950	5th W/L	173	—○																	